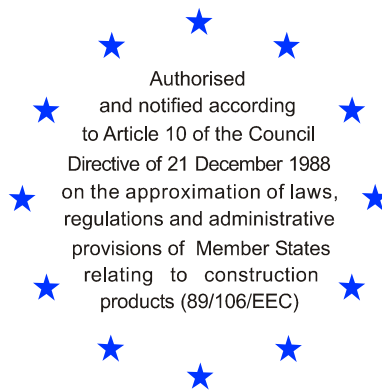


Deutsches Institut für Bautechnik

Anstalt des öffentlichen Rechts

Kolonnenstr. 30 L
10829 Berlin
Germany

Tel.: +49(0)30 787 30 0
Fax: +49(0)30 787 30 320
E-mail: dibt@dibt.de
Internet: www.dibt.de



DIBt

Mitglied der EOTA
Member of EOTA

European Technical Approval ETA-10/0090

English translation prepared by DIBt - Original version in German language

Handelsbezeichnung
Trade name

WKRET-MET Flachdachbefestigungselemente
WKRET-MET Flat Roof Fasteners

Zulassungsinhaber
Holder of approval

Klimas Wkret-met Sp. z o.o.
Kuznica Kiedrzynska
Ul. W. Witosa 135/137
42-233 MYKANOW
POLEN

Zulassungsgegenstand
und Verwendungszweck
*Generic type and use
of construction product*

Befestigungselemente für Dachabdichtungssysteme
Fasteners for flexible roof waterproofing systems

Geltungsdauer: vom
Validity: from
bis
to

15 April 2010
15 April 2015

Herstellwerk
Manufacturing plant

PPHU Wkret-met Klimas Sp. Jawna
Kuznica Kiedrzynska
Ul. W. Witosa 170/176
42-233 MYKANOW
POLEN

Diese Zulassung umfasst
This Approval contains

14 Seiten einschließlich 8 Anhänge
14 pages including 8 annexes



Europäische Organisation für Technische Zulassungen
European Organisation for Technical Approvals

I LEGAL BASES AND GENERAL CONDITIONS

- 1 This European technical approval is issued by Deutsches Institut für Bautechnik in accordance with:
 - Council Directive 89/106/EEC of 21 December 1988 on the approximation of laws, regulations and administrative provisions of Member States relating to construction products¹, modified by Council Directive 93/68/EEC² and Regulation (EC) N° 1882/2003 of the European Parliament and of the Council³;
 - Gesetz über das In-Verkehr-Bringen von und den freien Warenverkehr mit Bauprodukten zur Umsetzung der Richtlinie 89/106/EWG des Rates vom 21. Dezember 1988 zur Angleichung der Rechts- und Verwaltungsvorschriften der Mitgliedstaaten über Bauprodukte und anderer Rechtsakte der Europäischen Gemeinschaften (Bauprodukten-gesetz - BauPG) vom 28. April 1998⁴, as amended by law of 31 October 2006⁵;
 - Common Procedural Rules for Requesting, Preparing and the Granting of European technical approvals set out in the Annex to Commission Decision 94/23/EC⁶;
 - Guideline for European technical approval of "Systems of mechanically fastened flexible roof waterproofing membranes", ETAG 006.
- 2 Deutsches Institut für Bautechnik is authorized to check whether the provisions of this European technical approval are met. Checking may take place in the manufacturing plant. Nevertheless, the responsibility for the conformity of the products to the European technical approval and for their fitness for the intended use remains with the holder of the European technical approval.
- 3 This European technical approval is not to be transferred to manufacturers or agents of manufacturers other than those indicated on page 1, or manufacturing plants other than those indicated on page 1 of this European technical approval.
- 4 This European technical approval may be withdrawn by Deutsches Institut für Bautechnik, in particular pursuant to information by the Commission according to Article 5(1) of Council Directive 89/106/EEC.
- 5 Reproduction of this European technical approval including transmission by electronic means shall be in full. However, partial reproduction can be made with the written consent of Deutsches Institut für Bautechnik. In this case partial reproduction has to be designated as such. Texts and drawings of advertising brochures shall not contradict or misuse the European technical approval.
- 6 The European technical approval is issued by the approval body in its official language. This version corresponds fully to the version circulated within EOTA. Translations into other languages have to be designated as such.

1 Official Journal of the European Communities L 40, 11 February 1989, p. 12

2 Official Journal of the European Communities L 220, 30 August 1993, p. 1

3 Official Journal of the European Union L 284, 31 October 2003, p. 25

4 *Bundesgesetzblatt Teil I 1998*, p. 812

5 *Bundesgesetzblatt Teil I 2006*, p.2407, 2416

6 Official Journal of the European Communities L 17, 20 January 1994, p. 34

II SPECIFIC CONDITIONS OF THE EUROPEAN TECHNICAL APPROVAL

1 Definition of the products and intended use

1.1 Definition of the construction products

The construction products are mechanical fasteners. The fasteners comprise a screw made of coated carbon steel and a washer with integrated sleeve made of plastic materials (polyamide).

1.2 Intended use

The fasteners are intended to be used for the fastening of flexible roof waterproofing membranes according to ETAG 006. The possible substructures are steel decks or concrete.

The provisions made in this European technical approval are based on an assumed working life of the fasteners of 10 years. The indications given on the working life cannot be interpreted as a guarantee given by the producer, but are to be regarded only as a means for choosing the right products in relation to the expected economically reasonable working life of the works.

In order to use the fasteners for systems of mechanically fastened flexible roof waterproofing membranes a separate ETA according to ETAG 006 is necessary for the entire roof waterproofing system.

2 Characteristics of the products and methods of verification

2.1 Characteristics of the products

The fasteners shall correspond to the information given in Annexes 1 to 6.

The material properties, dimensions and tolerances not indicated in Annexes 1 to 6 shall correspond to the information laid down in the technical information⁷ to this European technical approval.

2.2 Safety in use (ER 4)

The characteristic values and mean values of the axial load resistance of the fasteners are given in Annexes 7 and 8. The values were determined by axial loading tests according to ETAG 006.

The fasteners are deemed to satisfy the requirements of ETAG 006 concerning unwinding. This was evaluated on the basis of the existing field experience of the manufacturer.

2.3 Aspects of durability

The durability requirements of ETAG 006 (resistance to corrosion of metallic fasteners, impact resistance and brittleness of plastic fasteners before and after heat ageing, requirements for results of Charpy tests for plastic materials before and after heat ageing) are satisfied for the coated carbon steel and the polyamide components of the fasteners.

All coated carbon steel components resisted to 15 cycles of the test procedure described in ETAG 006 (Kesternich test) and did not show more than 15 % surface corrosion.

⁷ The technical documentation is deposited with Deutsches Institut für Bautechnik and as far as relevant for the tasks of the approved bodies involved in the attestation of conformity procedure is handed over to the approved bodies.

The test results of the tests to check the impact resistance and brittleness of the plastic components showed a drop height of more than 1,0 m before and after heat ageing of these components. Furthermore the results of the corresponding Charpy tests after heat ageing did not show any significant decline compared to the results before heat ageing.

3 Evaluation and attestation of conformity and CE marking

3.1 System of attestation of conformity

According to the Decision 99/92/EC of the European Commission⁸ the system 2+ of the attestation of conformity applies.

This system of attestation of conformity is defined as follows:

System 2+: Declaration of conformity of the products by the manufacturer on the basis of:

(a) Tasks for the manufacturer:

- (1) initial type-testing of the products;
- (2) factory production control;
- (3) testing of samples taken at the factory in accordance with a prescribed test plan.

(b) Tasks for the approved body:

- (4) certification of factory production control on the basis of:
 - initial inspection of factory and of factory production control;
 - continuous surveillance, assessment and approval of factory production control.

Note: Approved bodies are also referred to as "notified bodies".

3.2 Responsibilities

3.2.1 Tasks for the manufacturer

3.2.1.1 Factory production control

The manufacturer shall exercise permanent internal control of production. All the elements, requirements and provisions adopted by the manufacturer shall be documented in a systematic manner in the form of written policies and procedures, including records of results performed. This production control system shall insure that the products are in conformity with this European technical approval.

The manufacturer may only use initial materials stated in the technical documentation of this European technical approval.

The factory production control shall be in accordance with the control plan of 15 April 2010 relating to this European technical approval, which is part of the technical documentation of this European technical approval. The control plan is laid down in the context of the factory production control system operated by the manufacturer and deposited with Deutsches Institut für Bautechnik.⁹

The results of factory production control shall be recorded and evaluated in accordance with the provisions of the control plan.

⁸ Official Journal of the European Communities L 80.of 18.03.1998

⁹ The "control plan" is a confidential part of the European technical approval and only handed over to the approved body involved in the procedure of attestation of conformity. See section 3.2.2.

3.2.1.2 Other tasks of manufacturer

The manufacturer shall, on the basis of a contract, involve a body which is approved for the tasks referred to in section 3.1 in the field of "Fasteners for flexible roof waterproofing membranes" in order to undertake the actions laid down in section 3.2.2. For this purpose, the control plan referred to in sections 3.2.1.1 and 3.2.2 shall be handed over by the manufacturer to the approved body involved.

The manufacturer shall make a declaration of conformity, stating that the construction products are in conformity with the provisions of this European technical approval.

3.2.2 Tasks for the approved bodies

The approved body shall perform the

- initial inspection of factory and of factory production control,
 - continuous surveillance, assessment and approval of factory production control,
- in accordance with the provisions laid down in the control plan.

The approved body shall retain the essential points of its actions referred to above and state the results obtained and conclusions drawn in a written report.

The approved certification body involved by the manufacturer shall issue an EC certificate of conformity of the factory production control stating the conformity with the provisions of this European technical approval.

In cases where the provisions of the European technical approval and its control plan are no longer fulfilled the certification body shall withdraw the certificate of conformity and inform Deutsches Institut für Bautechnik without delay.

3.3 CE marking

The CE marking shall be affixed on each packaging of fasteners. The letters "CE" shall be followed by the identification number of the approved certification body, where relevant, and be accompanied by the following additional information:

- the name and address of the producer (legal entity responsible for the manufacture),
- the last two digits of the year in which the CE marking was affixed,
- the number of the EC certificate for the factory production control,
- the number of the European technical approval,
- the name of the product.

4 Assumptions under which the fitness of the products for the intended use was favourably assessed

4.1 Manufacturing

The European technical approval is issued for the products on the basis of agreed data/information, deposited with Deutsches Institut für Bautechnik, which identifies the products that have been assessed and judged. Changes to the products or production process, which could result in this deposited data/information being incorrect, should be notified to Deutsches Institut für Bautechnik before the changes are introduced. Deutsches Institut für Bautechnik will decide whether or not such changes affect the approval and consequently the validity of the CE marking on the basis of the approval and if so whether further assessment or alterations to the approval shall be necessary.

4.2 Installation

The installation is carried out according to the manufacturer's instructions. The manufacturer hands over the assembly instructions to the assembler.

In order to use the fasteners for systems of mechanically fastened flexible roof waterproofing membranes a valid ETA according to ETAG 006 is issued for the entire roof waterproofing system. The ETA according to ETAG 006 covers the wind uplift resistance of the entire system as well as the product characteristics of the components of the system.

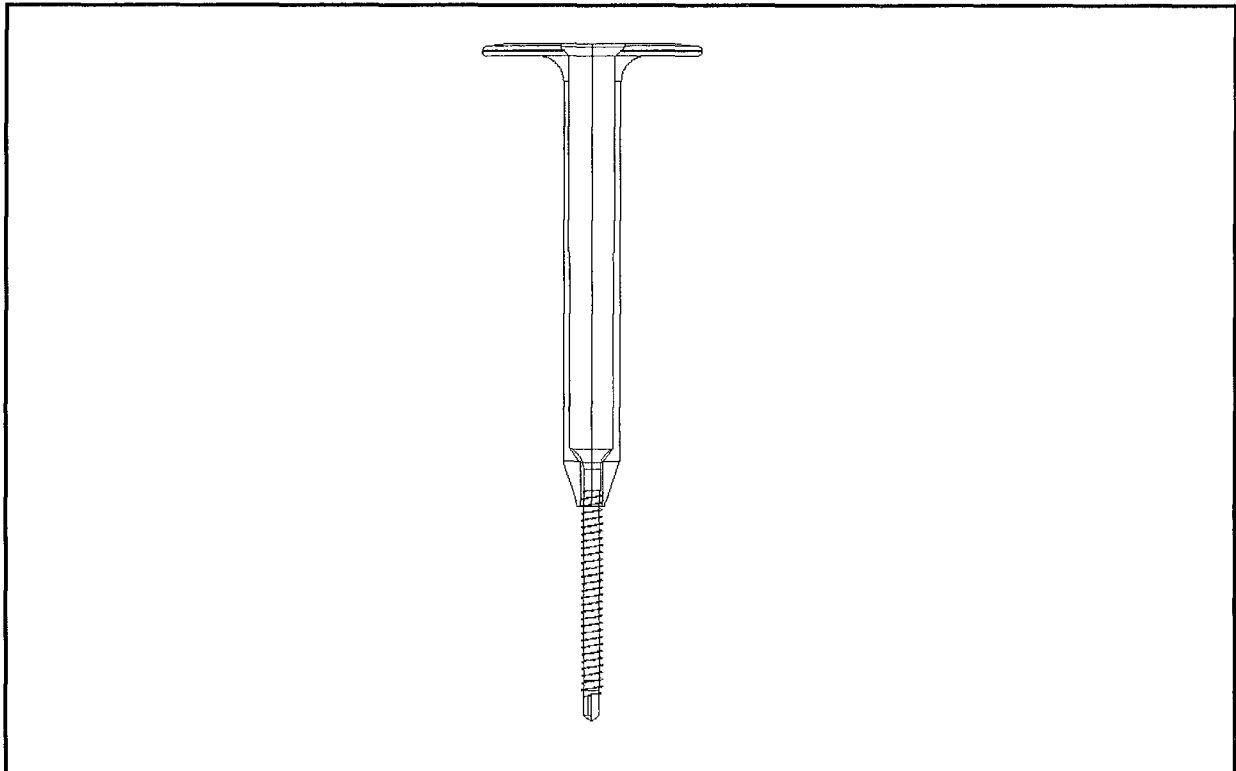
The conformity of the installed fastener with this ETA is attested by the executing company.

5 Indications to the manufacturer

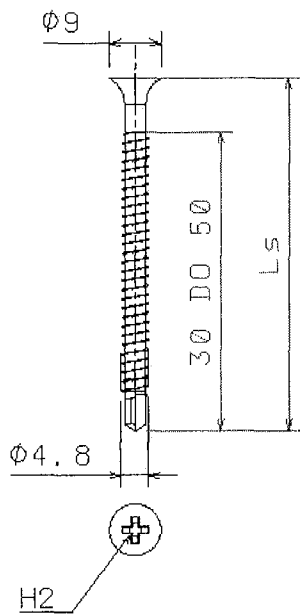
It is in the responsibility of the manufacturer to ensure that the information on the specific conditions according to 1, 2 and 4 is given to those who are concerned. The information may be given by reproduction of the respective parts of the European technical approval. In addition all installation data shall be shown clearly on the package and/or on an enclosed instruction sheet, preferably using illustration(s).

Dipl.-Ing. Georg Feistel
Head of Division Construction Engineering
of Deutsches Institut für Bautechnik
Berlin, 15 April 2010

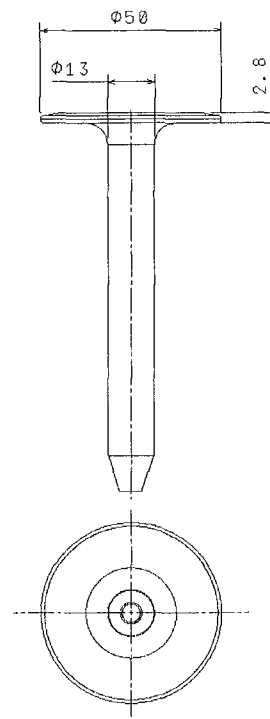
beglaubigt
Spohn



WSR – 4,8 x L_s



LINO



WKRET-MET Flat Roof Fasteners

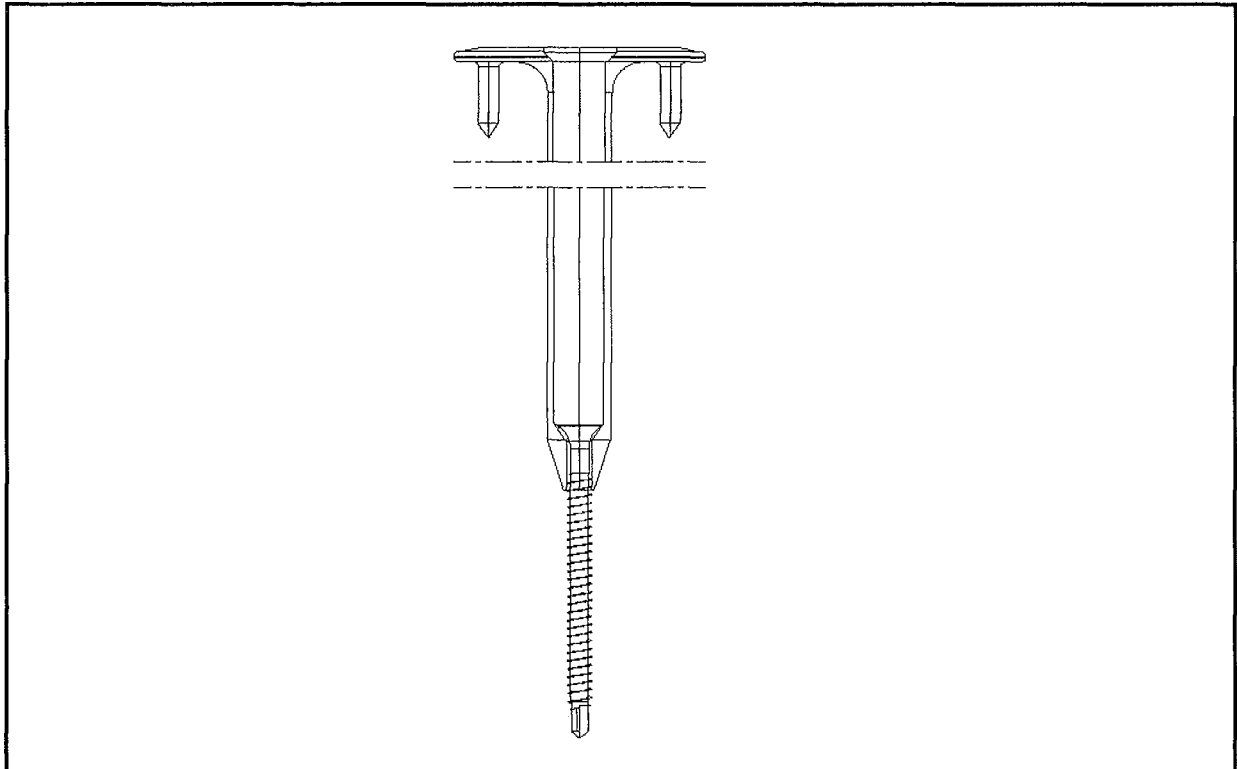
Combination 1

**Screw: WSR
 Washer: LINO**

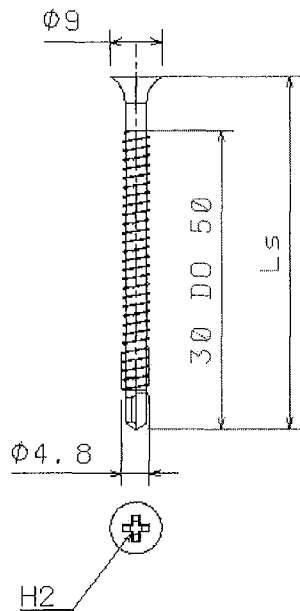
Annex 1

of the European
 Technical Approval

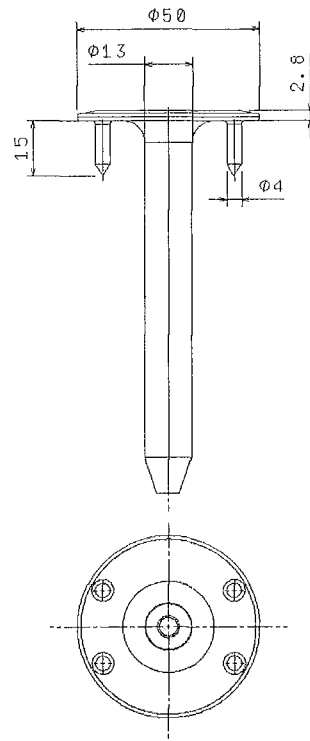
ETA-10/0090



WSR – 4,8 x L_s



LINOK



WKRET-MET Flat Roof Fasteners

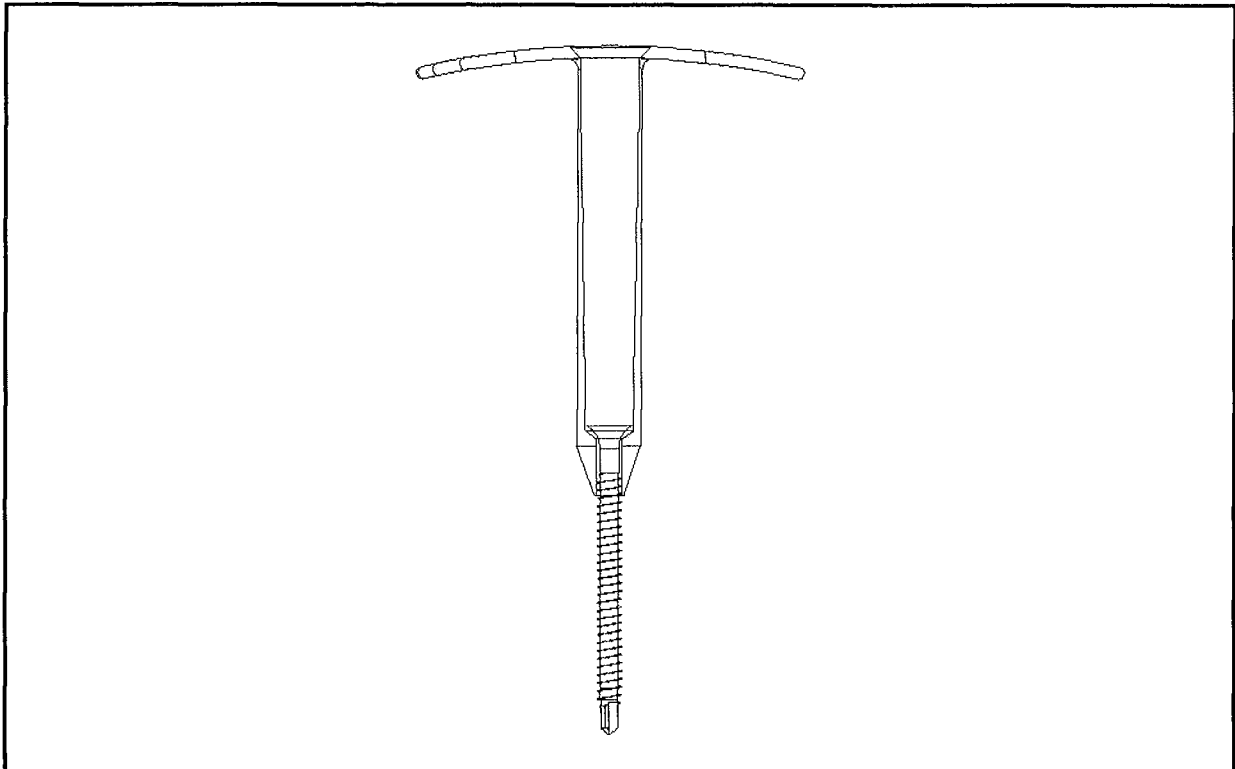
Combination 2

**Screw: WSR
 Washer: LINOK**

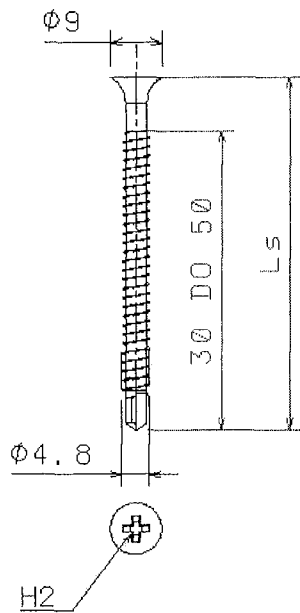
Annex 2

of the European
 Technical Approval

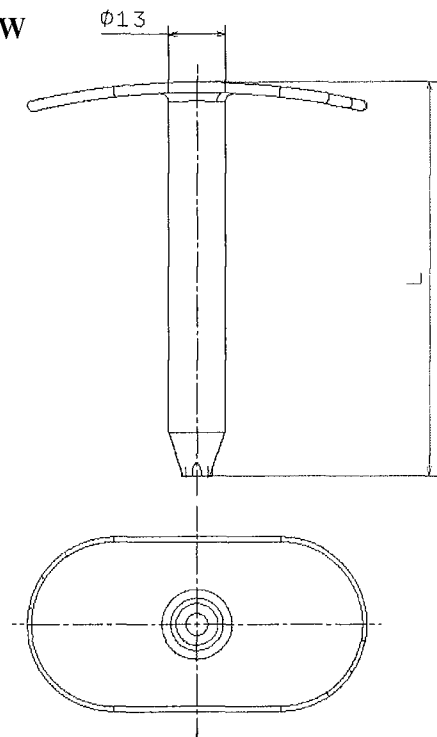
ETA-10/0090



WSR – 4,8 x L_s



LINOW



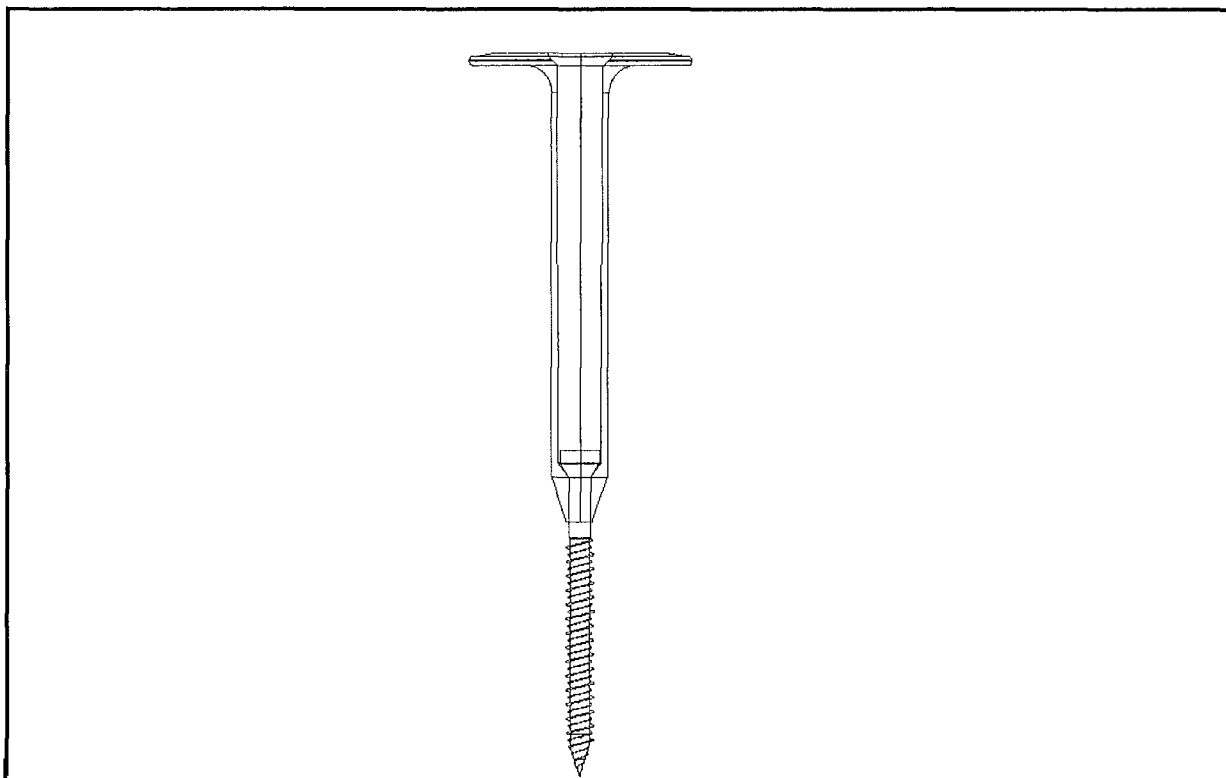
WKRET-MET Flat Roof Fasteners

Combination 3
Screw: WSR
Washer: LINOW

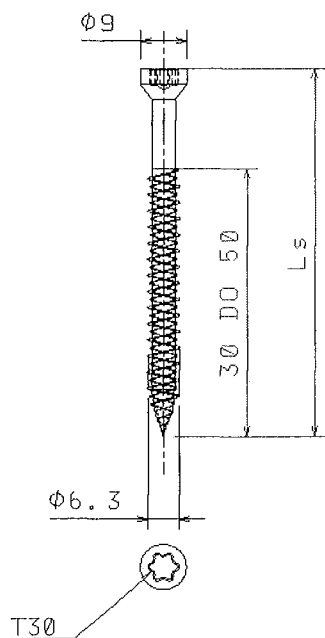
Annex 3

of the European
 Technical Approval

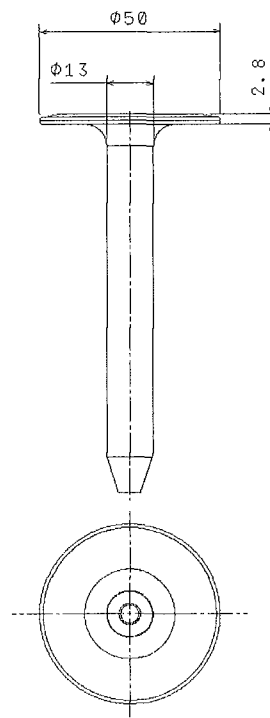
ETA-10/0090



WBSW – 6,3 x L_s



LINO

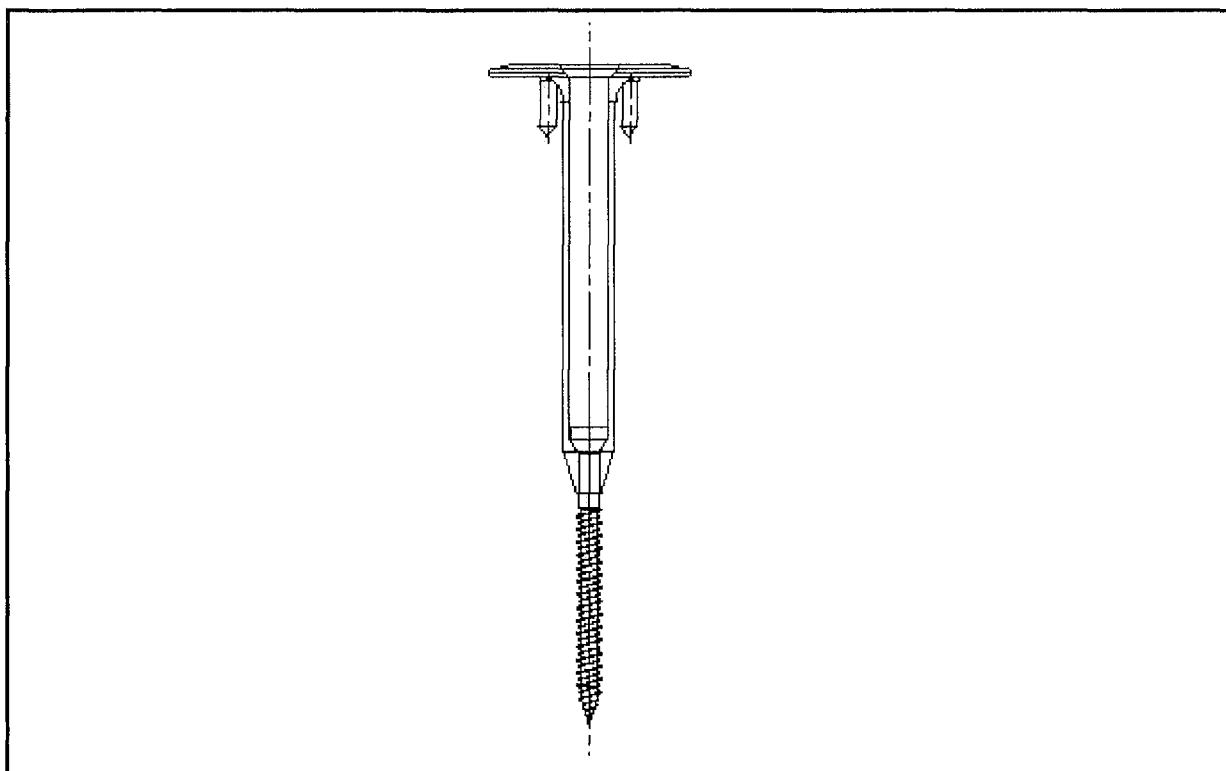


WKRET-MET Flat Roof Fasteners

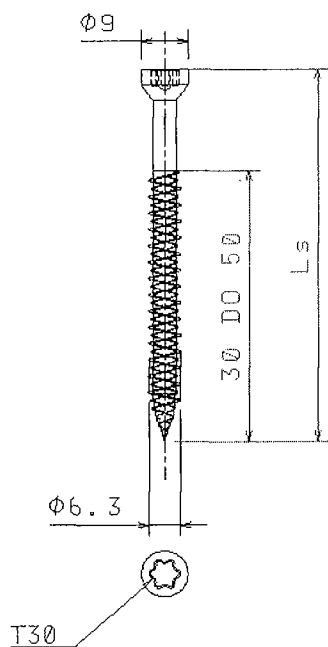
Combination 4
Screw: WBSW
Washer: LINO

Annex 4

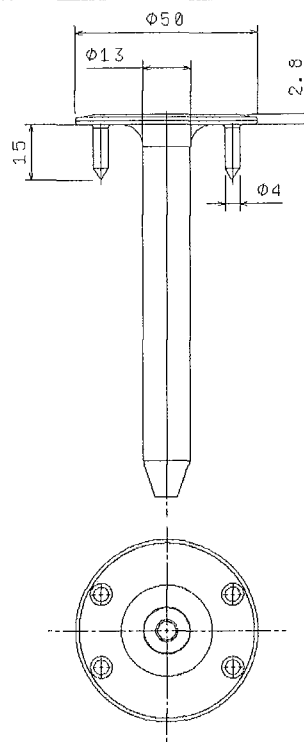
of the European
 Technical Approval
ETA-10/0090



WBSW – 6,3 x L_s



LINOK

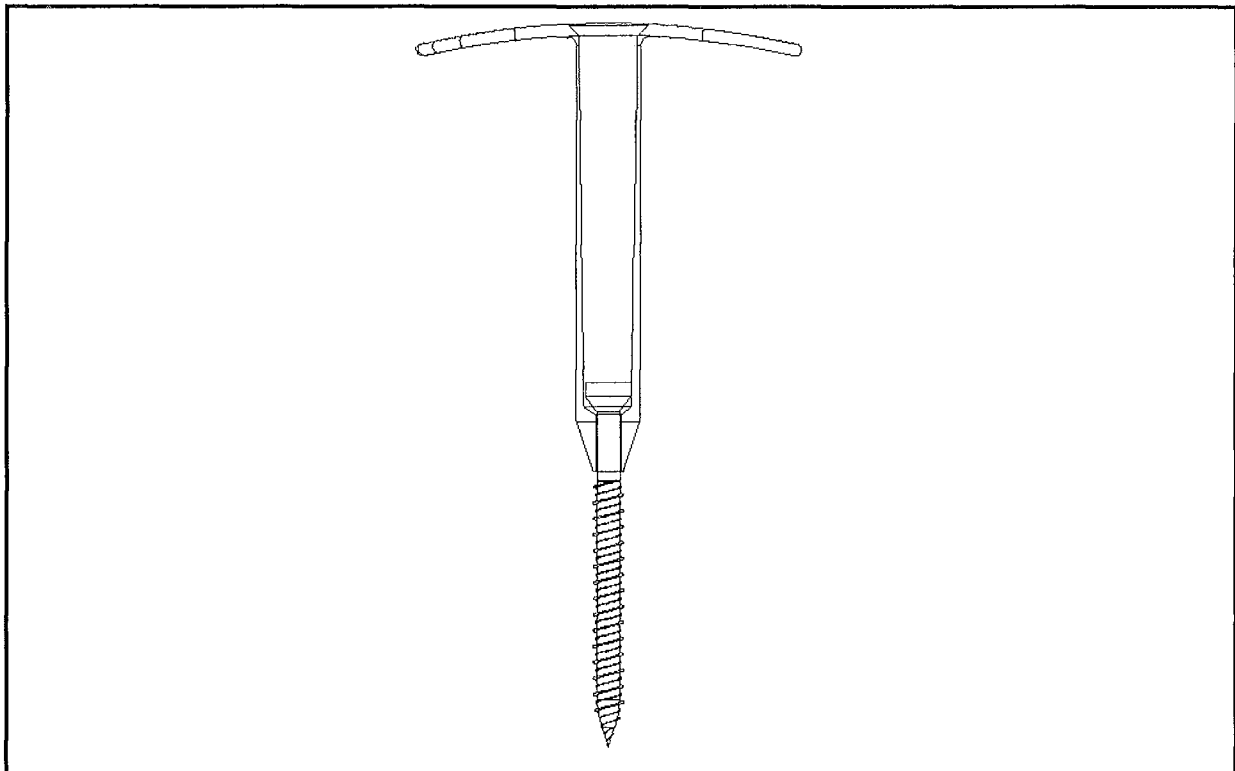


WKRET-MET Flat Roof Fasteners

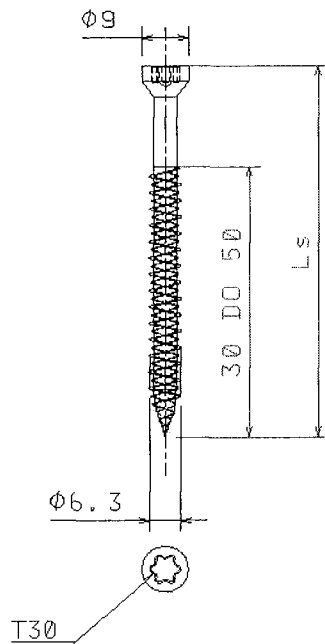
Combination 5
Screw: WBSW
Washer: LINOK

Annex 5

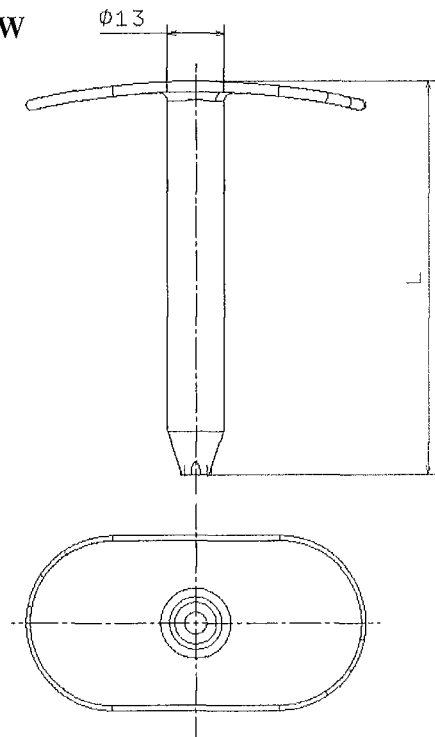
of the European
 Technical Approval
ETA-10/0090



WBSW – 6,3 x L_s



LINOW



WKRET-MET Flat Roof Fasteners

Combination 6
Screw: WBSW
Washer: LINOW

Annex 6

of the European
 Technical Approval

ETA-10/0090

Characteristic values of axial load resistance [kN]							
Annex	WKRET-MET Fasteners		Substructure				
			Steel sheets S280GD - EN 10326				Concrete EN 206-1 C12/15 ¹⁾
			t ≥ 0,75 mm	t ≥ 0,88 mm	t ≥ 1,00 mm	t ≥ 1,25 mm	
Screw	Washer						
1	WSR	LINO	0,90	1,38	1,61	1,69	
2		LINOK					
3		LINOW					
4	WBSW	LINO	/				
5		LINOK					
6		LINOW					
¹⁾ embedment depth ≥ 20 mm drill hole diameter: 5 mm							
WKRET-MET Flat Roof Fasteners						Annex 7 of the European Technical Approval ETA-10/0090	
Characteristic values of axial load resistance [kN]							

Mean values of axial load resistance [kN]								
Annex	WKRET-MET Fasteners		Substructure					
			Steel sheets S280GD - EN 10326				Concrete EN 206-1 C12/15 ¹⁾	
			t ≥ 0,75 mm	t ≥ 0,88 mm	t ≥ 1,00 mm	t ≥ 1,25 mm		
Screw	Washer							
1	WSR	LINO	1,24	1,72	2,02	2,36	/	
2		LINOK						
3		LINOW				2,45		
4	WBSW	LINO	/					1,76
5		LINOK						
6		LINOW						
¹⁾ embedment depth ≥ 20 mm drill hole diameter: 5 mm								
WKRET-MET Flat Roof Fasteners							Annex 8 of the European Technical Approval ETA-10/0090	
Mean values of axial load resistance [kN]								