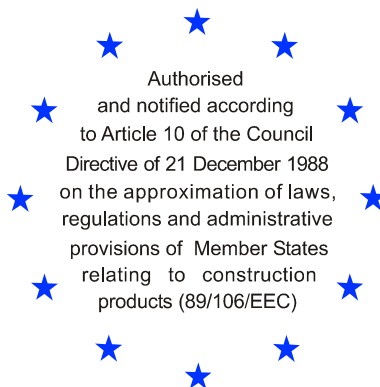


Deutsches Institut für Bautechnik

Anstalt des öffentlichen Rechts

Kolonnenstr. 30 L
10829 Berlin
Germany

Tel.: +49(0)30 787 30 0
Fax: +49(0)30 787 30 320
E-mail: dibt@dibt.de
Internet: www.dibt.de



DIBt

Mitglied der EOTA
Member of EOTA

European Technical Approval ETA-10/0410

English translation prepared by DIBt - Original version in German language

Handelsbezeichnung <i>Trade name</i>	TOX Injektionssystem TVM VMZ <i>TOX Injection System TVM VMZ</i>
Zulassungsinhaber <i>Holder of approval</i>	TOX-Dübel-Technik GmbH & Co. KG Brunnenstraße 31 72505 Krauchenwies-Ablach DEUTSCHLAND
Zulassungsgegenstand und Verwendungszweck <i>Generic type and use of construction product</i>	Kraftkontrolliert spreizender Verbunddübel mit Ankerstange VMZ-A und Innengewindehülse VMZ-IG zur Verankerung im Beton <i>Torque controlled bonded anchor with anchor rod VMZ-A and internal threaded rod VMZ-IG for use in concrete</i>
Geltungsdauer: <i>Validity:</i>	vom <i>from</i> 14 October 2010 bis <i>to</i> 31 July 2014
Herstellwerk <i>Manufacturing plant</i>	TOX Werk 10, D

Diese Zulassung umfasst
This Approval contains

28 Seiten einschließlich 20 Anhänge
28 pages including 20 annexes



Europäische Organisation für Technische Zulassungen
European Organisation for Technical Approvals

I LEGAL BASES AND GENERAL CONDITIONS

- 1 This European technical approval is issued by Deutsches Institut für Bautechnik in accordance with:
 - Council Directive 89/106/EEC of 21 December 1988 on the approximation of laws, regulations and administrative provisions of Member States relating to construction products¹, modified by Council Directive 93/68/EEC² and Regulation (EC) N° 1882/2003 of the European Parliament and of the Council³;
 - Gesetz über das In-Verkehr-Bringen von und den freien Warenverkehr mit Bauprodukten zur Umsetzung der Richtlinie 89/106/EWG des Rates vom 21. Dezember 1988 zur Angleichung der Rechts- und Verwaltungsvorschriften der Mitgliedstaaten über Bauprodukte und anderer Rechtsakte der Europäischen Gemeinschaften (Bauproduktengesetz - BauPG) vom 28. April 1998⁴, as amended by law of 31 October 2006⁵;
 - Common Procedural Rules for Requesting, Preparing and the Granting of European technical approvals set out in the Annex to Commission Decision 94/23/EC⁶;
 - Guideline for European technical approval of "Metal anchors for use in concrete - Part 5: Bonded anchors", ETAG 001-05.
- 2 Deutsches Institut für Bautechnik is authorized to check whether the provisions of this European technical approval are met. Checking may take place in the manufacturing plant. Nevertheless, the responsibility for the conformity of the products to the European technical approval and for their fitness for the intended use remains with the holder of the European technical approval.
- 3 This European technical approval is not to be transferred to manufacturers or agents of manufacturers other than those indicated on page 1, or manufacturing plants other than those indicated on page 1 of this European technical approval.
- 4 This European technical approval may be withdrawn by Deutsches Institut für Bautechnik, in particular pursuant to information by the Commission according to Article 5(1) of Council Directive 89/106/EEC.
- 5 Reproduction of this European technical approval including transmission by electronic means shall be in full. However, partial reproduction can be made with the written consent of Deutsches Institut für Bautechnik. In this case partial reproduction has to be designated as such. Texts and drawings of advertising brochures shall not contradict or misuse the European technical approval.
- 6 The European technical approval is issued by the approval body in its official language. This version corresponds fully to the version circulated within EOTA. Translations into other languages have to be designated as such.

1 Official Journal of the European Communities L 40, 11 February 1989, p. 12

2 Official Journal of the European Communities L 220, 30 August 1993, p. 1

3 Official Journal of the European Union L 284, 31 October 2003, p. 25

4 *Bundesgesetzblatt Teil I 1998*, p. 812

5 *Bundesgesetzblatt Teil I 2006*, p. 2407, 2416

6 Official Journal of the European Communities L 17, 20 January 1994, p. 34

II SPECIFIC CONDITIONS OF THE EUROPEAN TECHNICAL APPROVAL

1 Definition of the construction product and intended use

1.1 Definition of the product

The TOX Injection System TVM VMZ is a torque controlled bonded anchor consisting of a mortar cartridge with TOX Injection Mortar TVM VMZ and an anchor rod with expansion cones and an external connection thread (type VMZ-A) or internal connection thread (VMZ-IG).

The load transfer is realised by mechanical interlock of several cones in the bonding mortar and then via a combination of bonding and friction forces in the anchorage ground (concrete).

An illustration of the product and intended use is given in Annex 1.

1.2 Intended use

The anchor is intended to be used for anchorages for which requirements for mechanical resistance and stability and safety in use in the sense of the Essential Requirements 1 and 4 of Council Directive 89/106 EEC shall be fulfilled and failure of anchorages made with these products would cause risk to human life and/or lead to considerable economic consequences. Safety in case of fire (Essential Requirement 2) is not covered in this European technical approval. The anchor is to be used only for anchorages subject to static or quasi-static loading in reinforced or unreinforced normal weight concrete of strength classes C20/25 at minimum and C50/60 at most according to EN 206:2000-12.

The anchor may be applied in cracked and non-cracked concrete.

The anchor with required bore hole diameters $d_0 \geq 14$ mm may be installed in dry or wet concrete or in water filled holes. The anchor with bore hole diameters $d_0 < 14$ mm may only be installed in dry or wet concrete.

The anchor may be used within the following temperature ranges:

Temperature range: -40 °C to $+80$ °C (max short term temperature $+80$ °C and
max long term temperature $+50$ °C)

Temperature range: -40 °C to $+120$ °C (max short term temperature $+120$ °C and
max long term temperature $+72$ °C)

Anchor rods made of galvanised steel:

The element made of galvanised steel may only be used in structures subject to dry internal conditions.

Anchor rods made of stainless steel (A4):

The element made of stainless steel with additional marking A4 may be used in structures subject to dry internal conditions and also in structures subject to external atmospheric exposure (including industrial and marine environment), or exposure to permanently damp internal conditions, if no particular aggressive conditions exist. Such particular aggressive conditions are e.g. permanent, alternating immersion in seawater or the splash zone of seawater, chloride atmosphere of indoor swimming pools or atmosphere with extreme chemical pollution (e.g. in desulphurization plants or road tunnels where de-icing materials are used).

Anchor rods made of high corrosion resistant steel (HCR):

The element made of high corrosion resistant steel with additional marking HCR may be used in structures subject to dry internal conditions and also in structures subject to external atmospheric exposure, in permanently damp internal conditions or in other particular aggressive conditions. Such particular aggressive conditions are e. g. permanent, alternating immersion in seawater or the splash zone of seawater, chloride atmosphere of indoor swimming pools or atmosphere with chemical pollution (e.g. in desulphurization plants or road tunnels where de-icing materials are used).

The provisions made in this European technical approval are based on an assumed working life of the anchor of 50 years. The indications given on the working life cannot be interpreted as a guarantee given by the producer, but are to be regarded only as a means for choosing the right products in relation to the expected economically reasonable working life of the works.

2 Characteristics of product and methods of verification

2.1 Characteristics of product

The anchor corresponds to the drawings and provisions given in Annexes 1 to 4 and Annex 15. The characteristic material values, dimensions and tolerances of the anchor not indicated in Annexes 1 to 4 or Annex 15 shall correspond to the respective values laid down in the technical documentation⁷ of this European technical approval.

The characteristic values for the design of anchorages are given in Annexes 9 to 14 for anchor rod VMZ-A and in Annexes 18 to 20 for anchor rod VMZ-IG.

Each anchor rod is marked with the identifying mark of the manufacturing plant, the anchorage depth, trade name, thread size and marking of length in accordance with Annex 3 (VMZ-A) and Annex 15 (VMZ-IG).

In addition each anchor rod VMZ-A is marked with the anchorage depth and maximum thickness of the fixture.

Each anchor rod made of stainless steel is marked with the additional letter "A4". Each anchor rod made of high corrosion resistant steel is marked with the additional letter "HCR" in accordance with Annex 3 (VMZ-A) and Annex 15 (VMZ-IG).

Each mortar cartridge shall be marked with the identifying mark of the producer and with the trade name, processing notes, shelf life, hazard code, curing time and processing time (depending on temperature) in accordance with Annex 1.

2.2 Methods of verification

The assessment of fitness of the anchor for the intended use in relation to the requirements for mechanical resistance and stability and safety in use in the sense of the Essential Requirements 1 and 4 has been made in accordance with the "Guideline for European technical approval of Metal Anchors for Use in Concrete", Part 1 "Anchors in general" and Part 5 "Bonded anchors" as well as the Technical Report TR 018 "Torque-controlled bonded anchors", on the basis of Option 1.

⁷ The technical documentation of this European technical approval is deposited at the Deutsches Institut für Bautechnik and, as far as relevant for the tasks of the approved bodies involved in the attestation of conformity procedure, is handed over to the approved bodies.

In addition to the specific clauses relating to dangerous substances contained in this European technical approval, there may be other requirements applicable to the products falling within its scope (e.g. transposed European legislation and national laws, regulations and administrative provisions). In order to meet the provisions of the Construction Products Directive, these requirements need also to be complied with, when and where they apply.

3 Evaluation and attestation of conformity and CE marking

3.1 System of attestation of conformity

According to the decision 96/582/EG of the European Commission⁸ the system 2(i) (referred to as System 1) of attestation of conformity applies.

This system of attestation of conformity is defined as follows:

System 1: Certification of the conformity of the product by an approved certification body on the basis of:

- (a) Tasks for the manufacturer:
 - (1) factory production control;
 - (2) further testing of samples taken at the factory by the manufacturer in accordance with a prescribed control plan;
- (b) Tasks for the approved body:
 - (3) initial type-testing of the product;
 - (4) initial inspection of factory and of factory production control;
 - (5) continuous surveillance, assessment and approval of factory production control.

Note: Approved bodies are also referred to as "notified bodies".

3.2 Responsibilities

3.2.1 Tasks of the manufacturer

3.2.1.1 Factory production control

The manufacturer shall exercise permanent internal control of production. All the elements, requirements and provisions adopted by the manufacturer shall be documented in a systematic manner in the form of written policies and procedures, including records of results performed. This production control system shall insure that the product is in conformity with this European technical approval.

The manufacturer may only use initial / raw / constituent materials stated in the technical documentation of this European technical approval.

The factory production control shall be in accordance with the control plan which is part of the technical documentation of this European technical approval. The control plan is laid down in the context of the factory production control system operated by the manufacturer and deposited at Deutsches Institut für Bautechnik.⁹

The results of factory production control shall be recorded and evaluated in accordance with the provisions of the control plan.

3.2.1.2 Other tasks of manufacturer

The manufacturer shall, on the basis of a contract, involve a body which is approved for the tasks referred to in section 3.1 in the field of anchors in order to undertake the actions laid down in section 3.2.2. For this purpose, the control plan referred to in sections 3.2.1.1 and 3.2.2 shall be handed over by the manufacturer to the approved body involved.

The manufacturer shall make a declaration of conformity, stating that the product is in conformity with the provisions of this European technical approval.

⁸ Official Journal of the European Communities L 254 of 08.10.1996.

⁹ The control plan is a confidential part of the European technical approval and only handed over to the approved body involved in the procedure of attestation of conformity. See section 3.2.2.

3.2.2 Tasks of approved bodies

The approved body shall perform the following tasks in accordance with the provisions laid down in the control plan:

- initial type-testing of the product,
- initial inspection of factory and of factory production control,
- continuous surveillance, assessment and approval of factory production control.

The approved body shall retain the essential points of its actions referred to above and state the results obtained and conclusions drawn in a written report.

The approved certification body involved by the manufacturer shall issue an EC certificate of conformity of the product stating the conformity with the provisions of this European technical approval.

In cases where the provisions of the European technical approval and its control plan are no longer fulfilled the certification body shall withdraw the certificate of conformity and inform Deutsches Institut für Bautechnik without delay.

3.3 CE marking

The CE marking shall be affixed on each packaging of anchors. The letters "CE" shall be followed by the identification number of the approved certification body, where relevant, and be accompanied by the following additional information:

- the name and address of the holder of the approval (legal entity responsible for the manufacture),
- the last two digits of the year in which the CE marking was affixed,
- the number of the EC certificate of conformity for the product,
- the number of the European technical approval,
- the number of the guideline for European technical approval,
- use category (ETAG 001-1 Option 1),
- size.

4 Assumptions under which the fitness of the product for the intended use was favourably assessed

4.1 Manufacturing

The European technical approval is issued for the product on the basis of agreed data/information, deposited with Deutsches Institut für Bautechnik, which identifies the product that has been assessed and judged. Changes to the product or production process, which could result in the deposited data/information being incorrect, should be notified to Deutsches Institut für Bautechnik before the changes are introduced. Deutsches Institut für Bautechnik will decide whether or not such changes affect the European technical approval and consequently the validity of the CE marking on the basis of the European technical approval and if so whether further assessment or alterations to the European technical approval shall be necessary.

4.2 Design of anchorages

The fitness of the anchor for the intended use is given under the following conditions:

The anchorages are designed in accordance with the "Guideline for European technical approval of Metal Anchors for Use in Concrete", Annex C, Method A, under the responsibility of an engineer experienced in anchorages and concrete work.

Verifiable calculation notes and drawings are prepared taking account of the loads to be anchored.

The position of the anchor is indicated on the design drawings (e.g. position of the anchor relative to reinforcement or to supports, etc.).

4.3 Installation of anchors

The fitness for use of the anchor can only be assumed if the anchor is installed as follows:

- anchor installation carried out by appropriately qualified personnel and under the supervision of the person responsible for technical matters of the site,
- use of the anchor only as supplied by the manufacturer without exchanging the components of an anchor,
- anchor installation in accordance with the manufacturer's specifications and drawings using the tools indicated in the technical documentation of this European technical approval,
- checks before placing the anchor to ensure that the strength class of the concrete in which the anchor is to be placed is in the range given and is not lower than that of the concrete to which the characteristic loads apply,
- check of concrete being well compacted, e.g. without significant voids,
- keeping the effective anchorage depth,
- edge distance and spacing not less than the specified values without minus tolerances,
- positioning of the drill holes without damaging the reinforcement,
- drilling perpendicular to the surface by using a hard-metal tipped hammer drill bit,
- in case of aborted drill hole: the drill hole shall be filled with mortar,
- cleaning the drill hole following the manufacturers installation instructions given in Annexes 6 to 8 for anchor rod VMZ-A and in Annex 17 for anchor rod VMZ-IG,
- Anchor sizes with required bore hole diameters $d_0 < 14$ mm acc. to Annex 5, Table 4a and 4b or Annex 16, Table 14 must not be installed in water filled holes (remove possibly existing water in the drill hole completely),
- Water filled bore holes must not be polluted – otherwise the cleaning of the drill hole must be repeated,
- Anchor installation according to the installation instructions given in Annexes 6 to 8 for anchor rod VMZ-A and in Annex 17 for anchor rod VMZ-IG;
- the anchor component installation temperature shall be at least +5 °C; during curing of the injection mortar the temperature of the concrete must not fall below -5 °C; observing the curing time according to Annex 9, Table 5 or Annex 18, Table 15 until the anchor may be loaded,
- the fastening screw or threaded rods with washer and nut for the anchor rod VMZ-IG shall comply with specifications given in Annex 15.

5 Indications to the manufacturer

5.1 Responsibility of the manufacturer

It is in the responsibility of the manufacturer to ensure that the information on the specific conditions according to 1 and 2 including Annexes referred to as well as sections 4.2, 4.3 and 5.2 is given to those who are concerned. This information may be made by reproduction of the respective parts of the European technical approval. In addition all installation data shall be shown clearly on the package and/or on an enclosed instruction sheet, preferably using illustration(s).

The minimum data required are:

- installation parameters according to Annex 5 for VMZ-A or Annex 16 for VMZ-IG,
- for VMZ-IG requirements for fastening screw or threaded rod, washer and nut acc. to Annex 15,
- information on the installation procedure, including cleaning of the hole with the cleaning equipments, preferably by means of an illustration,
- exact volume of injection mortar related to element size,
- Storage temperature of anchor components,
- Admissible temperature range of the concrete at installation,
- Processing time and minimum curing time depending on temperature according to Annex 9 or Annex 18 respectively,
- identification of the manufacturing batch.

All data shall be presented in a clear and explicit form.

5.2 Packaging, transport and storage

The injection cartridges shall be protected against sun radiation and shall be stored according to the manufacturer's installation instructions in dry condition at temperatures of at least +5 °C to not more than +25 °C.

Mortar cartridges with expired shelf life must no longer be used.

The anchor shall only be packaged and supplied as a complete unit. Mortar cartridges may be packed separately from anchor rods (including nut and washer).

The manufacturer's installation instruction shall indicate that the TOX Injection Mortar TVM VMZ shall be used with the corresponding anchor rods of the manufacturer according to Annex 2.

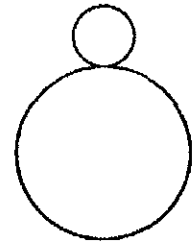
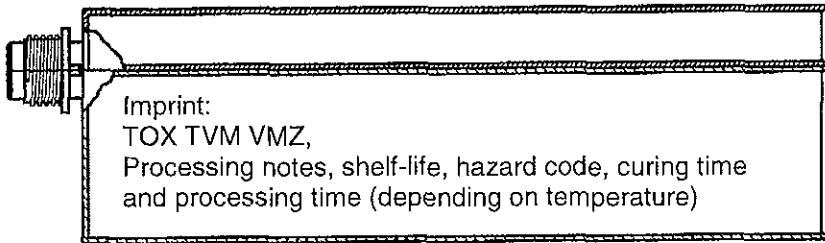
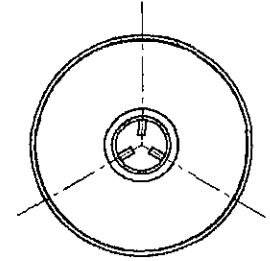
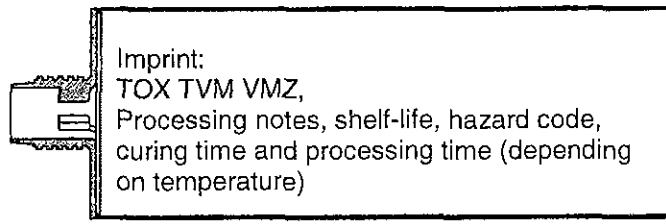
Georg Feistel
Head of Department

beglaubigt:
Tempel

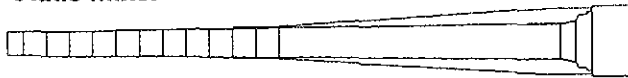
Injection System TVM VMZ

Mortar cartridge

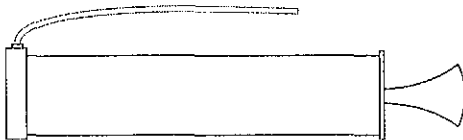
Sealing cap



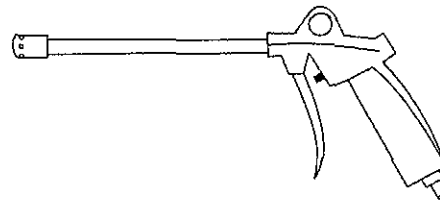
Static mixer



Hand - Pump



Blow - out Gun



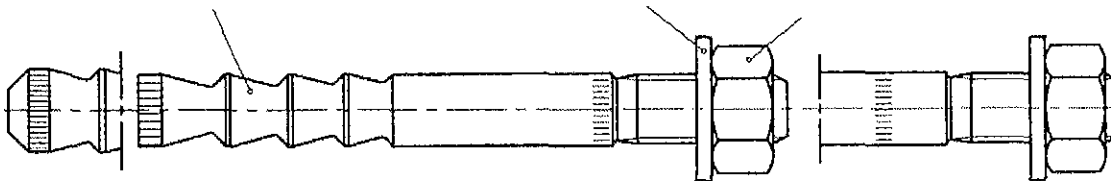
Cleaning Brush



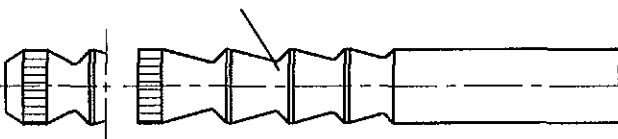
Anchor rod VMZ-A ¹⁾

Washer

Hexagon nut



Anchor rod VMZ-IG ²⁾



¹⁾ Number of cones see Table 1a / 1b

²⁾ Number of cones see Table 11

TOX Injection System TVM VMZ

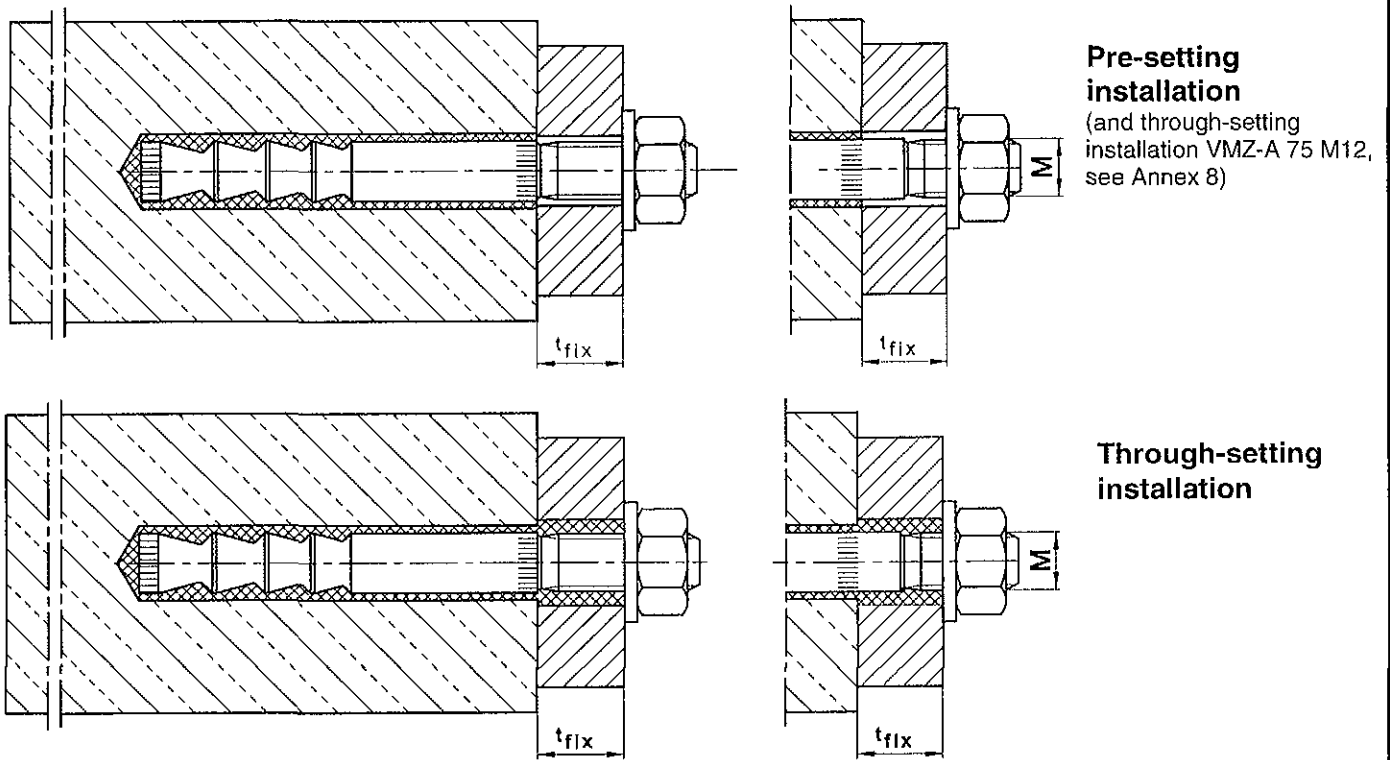
Product

Annex 1

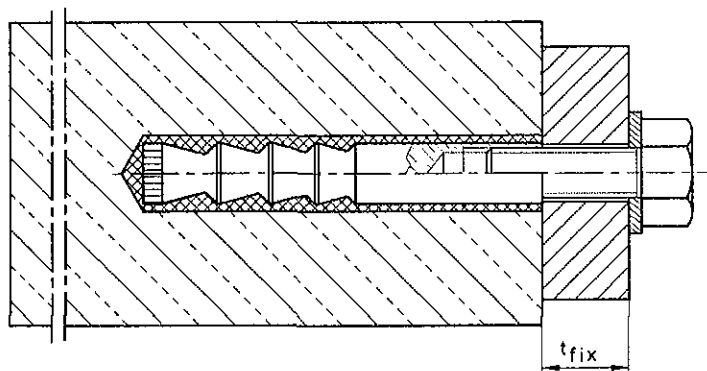
of European
technical approval

ETA-10/0410

Anchor rod VMZ-A



Anchor rod VMZ-IG ¹⁾ (technical data from page 23)



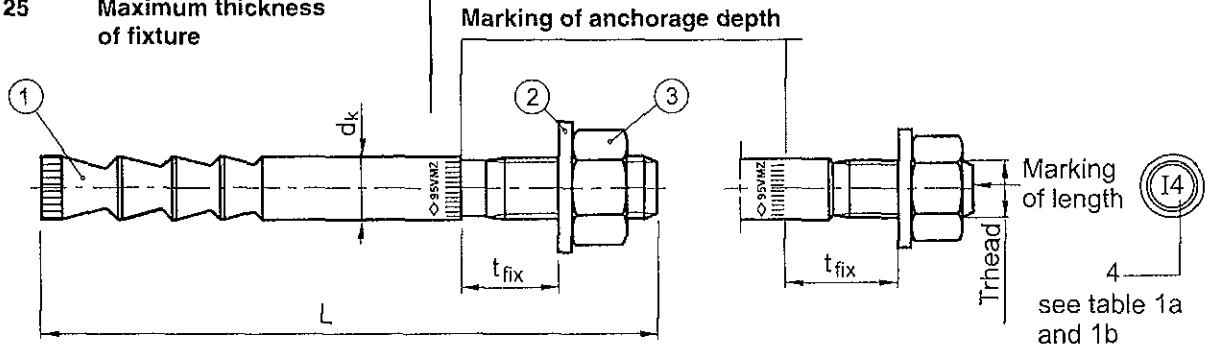
¹⁾ Illustration with hexagon head screw exemplified; other screws or threaded rods also permitted (see Annex 15, requirements of the fastening screw or threaded rod)

<p>TOX Injection System TVM VMZ</p>	<p>Annex 2</p>
<p>Intended use</p>	<p>of European technical approval ETA-10/0410</p>

Marking: e.g. \diamond 95 VMZ 12-25 ...

- \diamond Identifying mark of manufacturing plant
- 95 Anchorage depth
- VMZ Trade name
- 12 Size of thread
- 25 Maximum thickness of fixture

- A4 additional marking of stainless steel A4
- HCR additional marking of high corrosion resistant steel HCR



Marking of length	B	C	D	E	F	G	H	I	J	K	L	M
Length of anchor min \geq	50,8	63,5	76,2	88,9	101,6	114,3	127,0	139,7	152,4	165,1	177,8	190,5
Length of anchor max <	63,5	76,2	88,9	101,6	114,3	127,0	139,7	152,4	165,1	177,8	190,5	203,2

Marking of length	N	O	P	Q	R	S	T	U	V	W	X	Y	Z	>Z
Length of anchor min \geq	203,2	215,9	228,6	241,3	254,0	279,4	304,8	330,2	355,6	381,0	406,4	431,8	457,2	482,6
Length of anchor max <	215,9	228,6	241,3	254,0	279,4	304,8	330,2	355,6	381,0	406,4	431,8	457,2	482,6	

Table 1a: Dimensions of anchor rod VMZ-A M8 – M12

Anchor size VMZ-A		40 M8	50 M8	60 M10	75 M10	75 M12	70 M12	80 M12	95 M12	100 M12	110 M12	125 M12
Additional marking		1	2	1	2	1	2	3	4	5	6	7
1	Anchor rod Thread	M8	M8	M10	M10	M12	M12	M12	M12	M12	M12	M12
	Number of cones	2	3	3	3	3	3	4	4	6	6	6
	d_k	= 8,0	8,0	9,7	9,7	10,7	12,5	12,5	12,5	12,5	12,5	12,5
	$t_{fix\ min}$	\geq 1	1	1	1	1	1	1	1	1	1	1
	$t_{fix\ max}$	\leq 3000	3000	3000	3000	3000	3000	3000	3000	3000	3000	3000
	L min	53	64	76	91	96	91	101	116	121	131	146
	L max	3052	3063	3075	3090	3095	3090	3100	3115	3120	3130	3145
3	Hexagon nut SW	13	13	17	17	19	19	19	19	19	19	19

Dimensions in mm

TOX Injection System TVM VMZ

Dimensions of anchor rod
Anchor rod VMZ-A

Annex 3

of European
technical approval

ETA-10/0410

Table 1b: Dimensions of anchor rod VMZ-A M16 – M24

Anchor size VMZ-A		90 M16	105 M16	125 M16	145 M16	115 M20	170 M20 (LG)	190 M20 (LG)	170 M24 (LG)	200 M24 (LG)	225 M24 (LG)
Additional marking		1	2	3	4	1	2	3	1	2	3
1	Anchor rod										
	Thread	M16	M16	M16	M16	M20	M20	M20	M24	M24	M24
	Number of cones	3	4	6	6	3	6	6	6	6	6
	d_k	= 16,5	16,5	16,5	16,5	19,7	22,0	22,0	24,0	24,0	24,0
	$t_{fix\ min}$	\geq 1	1	1	1	1	20 (1)	20 (1)	20 (1)	20 (1)	20 (1)
	$t_{fix\ max}$	\leq 3000	3000	3000	3000	3000	3000	3000	3000	3000	3000
	L min	115	130	151	171	144	204	224	211	241	266
L max	3114	3129	3150	3170	3143	3203	3223	3240	3240	3265	
3	Hexagon nut SW	24	24	24	24	30	30	30	36	36	36

Table 2: Materials VMZ-A

Part	Designation	Steel, zinc plated	Steel, hot-dip galvanised $\geq 40\mu\text{m}$	Stainless steel A4	High corrosion resistant steel (HCR)
1	Anchor rod	Steel acc. to EN 10087, galvanised and coated	Steel acc. to EN 10087, hot-dip galvanised and coated	Stainless steel, 1.4401, 1.4404, 1.4571, 1.4362, EN 10088, coated	High corrosion resistant steel 1.4529, 1.4565, acc. to EN 10088, coated
2	Washer	Steel, galvanised	Steel, galvanised	Stainless steel, 1.4401, 1.4571, EN 10088	High corrosion resistant steel 1.4529 or 1.4565, acc. to EN 10088
3	Hexagon nut DIN 934	Property class 8 acc. to EN 20898-2, galvanised	Property class 8 acc. to EN 20898-2, hot-dip galvanised	ISO 3506, A4-70, 1.4401, 1.4571, EN 10088	ISO 3506, Property class 70, high corrosion resistant steel 1.4529 or 1.4565, EN 10088
4	Mortar cartridge	Vinylester resin, styrene free, mixing ratio 1:10			

TOX Injection System TVM VMZ

Dimensions of anchor rod
Materials
Anchor rod VMZ-A

Annex 4

of European
technical approval

ETA-10/0410

Table 3: Installation conditions VMZ-A

Anchor size VMZ-A			M8 - M10 and 75 M12	70 M12 and 80 M12 - M24
Nominal diameter of drill hole	d_0	[mm]	< 14	≥ 14
Installation allowable in	dry concrete	-	yes	yes
	wet concrete	-	yes	yes
	water-filled hole ¹⁾	-	no	yes

¹⁾ Special requirements see Section 4.3.

Table 4a: Installation parameters VMZ-A M8 – M12

Anchor size VMZ-A			40 M8	50 M8	60 M10	75 M10	75 M12	70 M12	80 M12	95 M12	100 M12	110 M12	125 M12
Effective anchorage depth	$h_{ef} =$	[mm]	40	50	60	75	75	70	80	95	100	110	125
Nominal diameter of drill hole	$d_0 =$	[mm]	10	10	12	12	12	14	14	14	14	14	14
Depth of drill hole	$h_0 \geq$	[mm]	42	55	65	80	80	75	85	100	105	115	130
Diameter of cleaning brush	$D \geq$	[mm]	10,8	10,8	13,0	13,0	13,0	15,0	15,0	15,0	15,0	15,0	15,0
Installation torque	$T_{inst} \leq$	[Nm]	10	10	15	15	25	25	25	25	30	30	30
Diameter of clearance hole in the fixture													
Pre-setting installation	$d_f \leq$	[mm]	9	9	12	12	14	14	14	14	14	14	14
Through-setting installation ¹⁾	$d_f \leq$	[mm]	-	-	14	14	14 ²⁾ /16	16	16	16	16	16	16

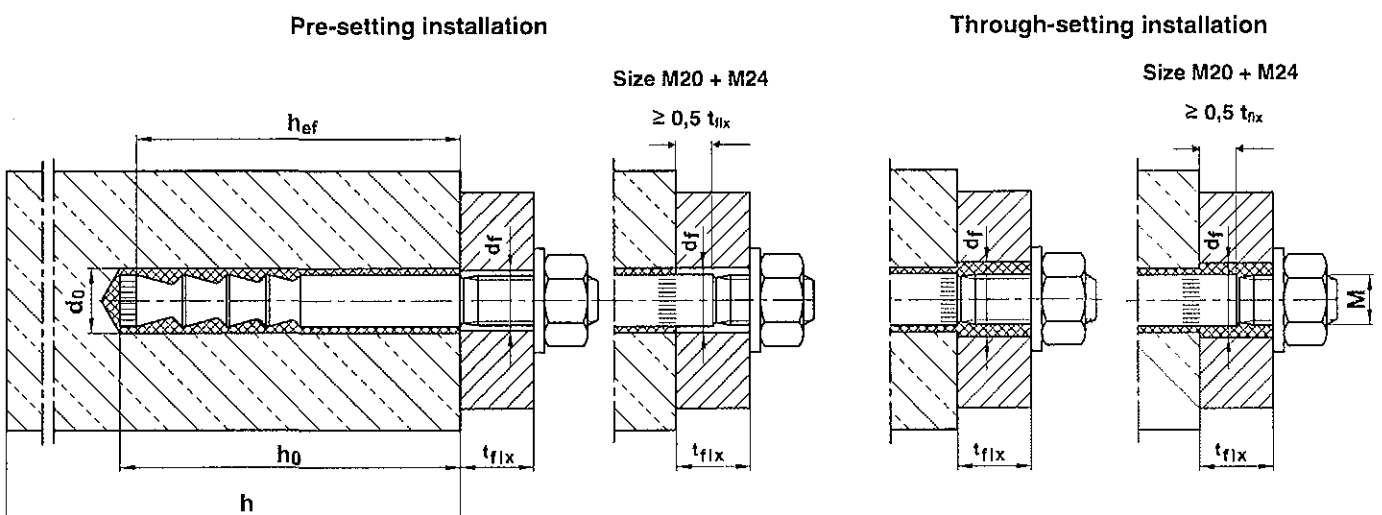
¹⁾ After the installation the annular gap in the clearance hole in the fixture has to be filled completely by excess mortar.

²⁾ If hole diameter in the fixture $d_f \leq 14$ mm, annular gap does not have to be filled by mortar (see Annex 8).

Table 4b: Installation parameters VMZ-A M16 – M24

Anchor size VMZ-A			90 M16	105 M16	125 M16	145 M16	115 M20	170 M20 (LG)	190 M20 (LG)	170 M24 (LG)	200 M24 (LG)	225 M24 (LG)
Effective anchorage depth	$h_{ef} =$	[mm]	90	105	125	145	115	170	190	170	200	225
Nominal diameter of drill hole	$d_0 =$	[mm]	18	18	18	18	22	24	24	26	26	26
Depth of drill hole	$h_0 \geq$	[mm]	98	113	133	153	120	180	200	185	215	240
Diameter of cleaning brush	$D \geq$	[mm]	19,0	19,0	19,0	19,0	23,0	25,0	25,0	27,0	27,0	27,0
Installation torque	$T_{inst} \leq$	[Nm]	50	50	50	50	80	80	80	100	120	120
Diameter of clearance hole in the fixture												
Pre-setting installation	$d_f \leq$	[mm]	18	18	18	18	22	24 (22)	24 (22)	26	26	26
Through-setting installation ¹⁾	$d_f \leq$	[mm]	20	20	20	20	24	26	26	28	28	28

¹⁾ After the installation the annular gap in the clearance hole in the fixture has to be filled completely by excess mortar.

**TOX Injection System TVM VMZ**

**Installation conditions,
Installation parameters
Anchor rod VMZ-A**

Annex 5

of European
technical approval

ETA-10/0410

Installation instructions pre-setting installation

1		Use Hammer drill or air drill with drill bit and depth gauge. Drill perpendicular to concrete surface. Drill hole must be cleaned directly prior to installation of the anchor.
2a		VMZ-A M8 - M16: Blow out drill hole from the bottom with Hand - Pump at least two times. The Extension Tube with reduced diameter must be added to the Blow-out pump for the diameter M8.
2b		VMZ-A M20 - M24: Connect blow – out Gun to compressed air (min. 6 bar, oil-free). Open air valve and blow out drill hole along the entire depth with back and forth motion at least two times.
3		Check diameter of Cleaning Brush. If Brush can be pushed into the drill hole without any resistance, it must be replaced. Chuck Brush into drill machine. Turn on drill machine. Brush drill hole back and forth along the entire drill hole depth at least two times while rotated by drill machine.
4a		VMZ-A M8 - M16: Blow out drill hole from the bottom with Hand - Pump at least two times. The Extension Tube with reduced diameter must be added to the Blow-out pump for the diameter M8.
4b		VMZ-A M20 - M24: Connect blow – out Gun to compressed air (min. 6 bar, oil-free). Open air valve and blow out drill hole along the entire depth with back and forth motion at least two times.
5		Check expiration date on TVM VMZ cartridge. Never use when expired. Remove cap from VMZ cartridge. Screw Mixer Nozzle on cartridge. When using a new cartridge always use a new Mixer Nozzle. Never use cartridge without Mixer Nozzle and never use Mixer Nozzle without helix inside.
6		Insert cartridge in Dispenser. Before injecting discard mortar (at least 2 full strokes or a line of 10 cm) until it shows a consistent grey colour. Never use this mortar.
7		Prior to injection check if Mixer Nozzle reaches the bottom of the drill hole. If it does not reach the bottom, plug Mixer Extension onto Mixer Nozzle in order to properly fill the drill hole. Fill hole with a sufficient quantity of injection mortar. Start from the bottom of the drill hole and work out to avoid trapping air pockets.
8		Insert the anchor rod VMZ-A by hand, rotating slightly up to the full embedment depth as marked on the anchor rod. The anchor rod is properly set when excess mortar seeps from the hole. If the hole is not completely filled, pull out anchor rod, let mortar cure, drill out hole and start again from No. 2.
9		Follow minimum curing time shown in Table 5. During curing time anchor rod must not be moved or loaded.
10		Remove excess mortar.
11		The fixture can be mounted after curing time. Apply installation torque T_{inst} according to Table 4a or 4b by using torque wrench.

TOX Injection System TVM VMZ

Installation instructions pre-setting installation
Anchor rod VMZ-A

Annex 6

of European
technical approval

ETA-10/0410

Installation instructions through-setting installation

1		Use Hammer drill or air drill with drill bit and depth gauge. Drill perpendicular to concrete surface. Drill hole must be cleaned directly prior to installation of the anchor.
2a		VMZ-A M10 - M16: Blow out drill hole from the bottom with Hand - Pump at least two times.
2b		VMZ-A M20 - M24: Connect blow - out Gun to compressed air (min. 6 bar, oil-free). Open air valve and blow out drill hole along the entire depth with back and forth motion at least two times.
3		Check diameter of Cleaning Brush. If Brush can be pushed into the drill hole without any resistance, it must be replaced. Chuck Brush into drill machine. Turn on drill machine. Brush drill hole back and forth along the entire drill hole depth at least two times while rotated by drill machine.
4a		VMZ-A M10 - M16: Blow out drill hole from the bottom with Hand - Pump at least two times.
4b		VMZ-A M20 - M24: Connect blow - out Gun to compressed air (min. 6 bar, oil-free). Open air valve and blow out drill hole along the entire depth with back and forth motion at least two times.
5		Check expiration date on TVM VMZ cartridge. Never use when expired. Remove cap from TVM VMZ cartridge. Check Mixer Nozzle if helix is inside. Screw Mixer Nozzle on cartridge. When using a new cartridge always use a new Mixer Nozzle. Never use cartridge without Mixer Nozzle and never use Mixer Nozzle without helix inside.
6		Insert cartridge in Dispenser. Before injecting discard mortar (at least 2 full strokes or a line of 10 cm) until it shows a consistent grey color. Never use this mortar.
7		Prior to injection check if Mixer Nozzle reaches the bottom of the drill hole. If it does not reach the bottom, plug Mixer Extension onto Mixer Nozzle in order to properly fill the drill hole. Fill hole with a sufficient quantity of injection mortar. Start from the bottom of the drill hole and work out to avoid trapping air pockets.
8		Insert the anchor rod VMZ-A by hand, rotating slightly up to the full embedment depth. After the installation the annular gap in the clearance hole in the fixture has to be filled completely by excess mortar. If the hole is not completely filled, pull out anchor rod, let mortar cure, drill out hole and start again from No. 2.
9		This must be completed within the processing time shown in Table 5. During curing time anchor rod must not be moved or loaded.
10		Remove excess mortar.
11		The washer and the nut can be mounted after curing time. Apply installation torque T_{inst} according to Table 4a or 4b by using torque wrench.

TOX Injection System TVM VMZ

**Installation instructions through-setting installation
Anchor rod VMZ-A**

Annex 7

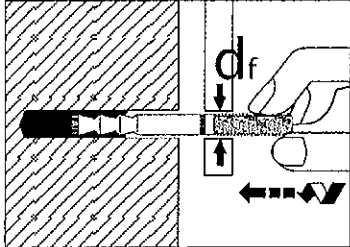
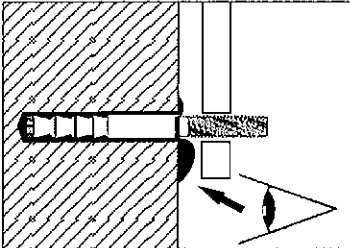
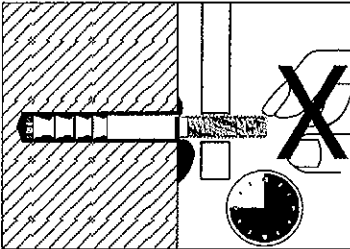
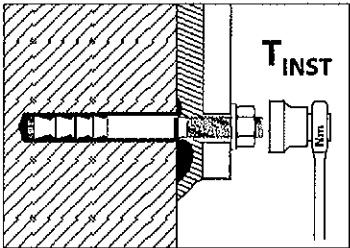
of European
technical approval

ETA-10/0410

Installation instructions VMZ-A 75 M12
Through-setting installation with clearance between concrete and anchor plate

Work step 1-7 as illustrated in Annex 6

Requirement: Diameter of clearance hole in the fixture $d_f \leq 14$ mm

8		<p>Insert the anchor rod VMZ-A by hand, rotating slightly up to the full embedment depth.</p>
9		<p>Check if excess mortar seeps from the hole. If the hole is not completely filled, pull out anchor rod, let mortar cure, drill out hole and start again from No. 2.</p> <p>The annular gap in the fixture does not have to be filled.</p>
10		<p>During curing time as per Table 5 anchor rod must not be moved or loaded.</p>
11		<p>Washer and nut can be mounted after curing time and backfilling of anchor plate. Apply installation torque T_{INST} according to Table 4a by using torque wrench.</p>

TOX Injection System TVM VMZ

Annex 8

Installation instructions through-setting installation with clearance between concrete and anchor plate
Anchor rod VMZ-A 75 M12

of European technical approval

ETA-10/0410

Table 5: Maximum processing time and minimum curing time

Temperature [°C] in the drill hole	Maximum processing time	Minimum curing time	
		dry concrete	wet concrete
+ 40 °C	1,4 min	15 min	30 min
+ 35 °C	2 min	20 min	40 min
+ 30 °C	4 min	25 min	50 min
+ 20 °C	6 min	45 min	1:30 h
+ 10 °C	12 min	1:20 h	2:40 h
+ 5 °C	20 min	2:00 h	4:00 h
0 °C	45 min	3:00 h	6:00 h
- 5 °C	1:30 h	6:00 h	12:00 h

Table 6a: Minimum thickness of concrete, minimum spacing and edge distance VMZ-A M8 – M12

Anchor size VMZ-A			40 M8	50 M8	60 M10	75 M10	75 M12	70 M12	80 M12	95 M12	100 M12	110 M12	125 M12
Minimum thickness of concrete	h_{min}	[mm]	80	80	100	110 100 ¹⁾	110	110	110	130 125 ¹⁾	130	140	160
Cracked concrete													
Minimum spacing	s_{min}	[mm]	40	40	40	40	50	55	40	40	50	50	50
Minimum edge distance	c_{min}	[mm]	40	40	40	40	50	55	50	50	50	50	50
Non-cracked concrete													
Minimum spacing	s_{min}	[mm]	40	40	50	50	50	55	55	55	80 ²⁾	80 ²⁾	80 ²⁾
Minimum edge distance	c_{min}	[mm]	40	40	50	50	50	55	55	55	55 ²⁾	55 ²⁾	55 ²⁾

Table 6b: Minimum thickness of concrete, minimum spacing and edge distance VMZ-A M16 – M24

Anchor size VMZ-A			90 M16	105 M16	125 M16	145 M16	115 M20	170 M20 (LG)	190 M20 (LG)	170 M24 (LG)	200 M24 (LG)	225 M24 (LG)
Minimum thickness of concrete	h_{min}	[mm]	130	150	170 160 ¹⁾	190 180 ¹⁾	160	230 220 ¹⁾	250 240 ¹⁾	230 220 ¹⁾	270 260 ¹⁾	300 290 ¹⁾
Cracked concrete												
Minimum spacing	s_{min}	[mm]	50	50	60	60	80	80	80	80	80	80
Minimum edge distance	c_{min}	[mm]	50	50	60	60	80	80	80	80	80	80
Non-cracked concrete												
Minimum spacing	s_{min}	[mm]	50	60	60	60	80	80	80	80	105	105
Minimum edge distance	c_{min}	[mm]	50	60	60	60	80	80	80	80	105	105

¹⁾ The remote face of the concrete member shall be inspected to ensure there has been no break-through by drilling. In case of break-through the ground of the drill hole shall be closed with high strength mortar. The full bonded length h_{ef} shall be achieved and any potential loss of injection mortar shall be compensated.

²⁾ For an edge distance $c \geq 80$ mm a minimum spacing $s_{min} = 55$ mm is applicable.

TOX Injection System TVM VMZ

**Processing time, curing time,
Minimum thickness of concrete,
Minimum spacing and edge distance
Anchor rod VMZ-A**

Annex 9

of European
technical approval

ETA-10/0410

**Table 7a: Design method A,
Characteristic values for tension loads VMZ-A M8 – M12**

Anchor size VMZ-A			40 M8	50 M8	60 M10	75 M10	75 M12	70 M12	80 M12	95 M12	100 M12	110 M12	125 M12	
Steel failure														
Characteristic tension resistance $N_{Rk,s}$	Steel, zinc plated	[kN]	15	18	25	25	35	49	54	54	57	57	57	
	Stainless steel A4, HCR	[kN]	15	18	25	25	35	49	54	54	57	57	57	
Partial safety factor	γ_{Ms} ⁴⁾	[-]	1,5											
Pullout														
Characteristic resistance $N_{Rk,p}$ in cracked concrete C20/25	50°C ²⁾ /80°C ³⁾	[kN]	1)											
	72°C ²⁾ /120°C ³⁾	[kN]	5	7,5	12	12	12	16	20	20	30	30	30	
Characteristic resistance $N_{Rk,p}$ in non-cracked concrete C20/25	50°C ²⁾ /80°C ³⁾	[kN]	9	1)										
	72°C ²⁾ /120°C ³⁾	[kN]	6	9	16	16	16	16	25	25	30	30	30	
Splitting for standard thickness of concrete (The higher resistance of Case 1 and Case 2 may be applied.)														
Standard thickness of concrete	$h_{std} \geq 2 h_{ef}$	[mm]	100	100	120	150	150	140	160	190	200	220	250	
Case 1														
Characteristic resistance in concrete C20/25	$N_{Rk,sp}^0$ ⁶⁾	[kN]	7,5	9	16	20	20	20	1)	30	40	40	40	
Respective spacing	$s_{cr,sp}$	[mm]	3 h_{ef}											
Respective edge distance	$c_{cr,sp}$	[mm]	1,5 h_{ef}											
Case 2														
Spacing	$s_{cr,sp}$	[mm]	6 h_{ef}	6 h_{ef}	5 h_{ef}	7 h_{ef}	7 h_{ef}	5 h_{ef}	3 h_{ef}	5 h_{ef}	4 h_{ef}	6 h_{ef}	5 h_{ef}	
Edge distance	$c_{cr,sp}$	[mm]	3 h_{ef}	3 h_{ef}	2,5 h_{ef}	3,5 h_{ef}	3,5 h_{ef}	2,5 h_{ef}	1,5 h_{ef}	2,5 h_{ef}	2 h_{ef}	3 h_{ef}	2,5 h_{ef}	
Splitting for standard thickness of concrete (The higher resistance of Case 1 and Case 2 may be applied.)														
Minimum thickness of concrete	$h_{min} \geq$	[mm]	80	80	100	100	110	110	110	125	130	140	160	
Case 1														
Characteristic resistance in concrete C20/25	$N_{Rk,sp}^0$ ⁶⁾	[kN]	7,5	-	16	16	16	20	25	25	30	30	30	
Respective spacing	$s_{cr,sp}$	[mm]	3 h_{ef}											
Respective edge distance	$c_{cr,sp}$	[mm]	1,5 h_{ef}											
Case 2														
Spacing	$s_{cr,sp}$	[mm]	6 h_{ef}	7 h_{ef}	6 h_{ef}	7 h_{ef}	7 h_{ef}	7 h_{ef}	6 h_{ef}	7 h_{ef}	6 h_{ef}	6 h_{ef}	6 h_{ef}	
Edge distance	$c_{cr,sp}$	[mm]	3 h_{ef}	3,5 h_{ef}	3 h_{ef}	3,5 h_{ef}	3,5 h_{ef}	3,5 h_{ef}	3 h_{ef}	3,5 h_{ef}	3 h_{ef}	3 h_{ef}	3 h_{ef}	
Increasing factors for $N_{Rk,p}$ and $N_{Rk,sp}^0$	ψ_C	C25/30	[-]	1,10										
		C30/37	[-]	1,22										
		C40/50	[-]	1,41										
		C45/55	[-]	1,48										
		C50/60	[-]	1,55										
Concrete cone failure														
Effective anchorage depth	h_{ef}	[mm]	40	50	60	75	75	70	80	95	100	110	125	
Spacing	$s_{cr,N}$	[mm]	3 h_{ef}											
Edge distance	$c_{cr,N}$	[mm]	1,5 h_{ef}											
Partial safety factor	$\gamma_{Mp} = \gamma_{Msp} = \gamma_{Mc}$ ^{4) 5)}	[-]	1,5 ⁵⁾											

¹⁾ Pullout failure is not decisive

²⁾ Maximum long term temperature

³⁾ Maximum short term temperature

⁴⁾ In absence of other national regulations

⁵⁾ The partial safety factor $\gamma_2 = 1,0$ is included

⁶⁾ For the proof against splitting failure according to ETAG 001 Annex C, $N_{Rk,c}$ in equation (5.3) has to be replaced by $N_{Rk,sp}^0$ with consideration of the member thickness ($\psi_{ucr,sp} = 1,0$).

TOX Injection System TVM VMZ

Annex 10

Design method A, characteristic values for tension loads

of European technical approval

Anchor rod VMZ-A M8 – M12

ETA-10/0410

**Table 7b: Design method A,
Characteristic values for tension loads VMZ-A M16 – M24**

Anchor size VMZ-A			90 M16	105 M16	125 M16	145 M16	115 M20	170 M20 (LG)	190 M20 (LG)	170 M24 (LG)	200 M24 (LG)	225 M24 (LG)
Steel failure												
Characteristic tension resistance $N_{Rk,s}$	Steel, zinc plated	[kN]	88	95	111	111	96	188	188	222	222	222
	Stainless steel A4, HCR	[kN]	88	95	111	111	114	165	165	194	194	194
Partial safety factor	γ_{Ms} ⁴⁾	[-]	1,5				1,68	1,5				
Pullout												
Characteristic resistance in cracked concrete $N_{Rk,p}$	50°C ²⁾ /80°C ³⁾	[kN]	1)									
	72°C ²⁾ /120°C ³⁾	[kN]	20	30	50	50	30	60	60	75	75	75
Characteristic resistance in non-cracked concrete $N_{Rk,p}$	50°C ²⁾ /80°C ³⁾	[kN]	1)			75	1)					
	72°C ²⁾ /120°C ³⁾	[kN]	25	35	50	50	40	75	75	95	95	95
Splitting for standard thickness of concrete (The higher resistance of Case 1 and Case 2 may be applied.)												
Standard thickness of concrete	$h_{std} \geq 2 h_{ef}$	[mm]	180	200	250	290	230	340	380	340	400	450
Case 1												
Characteristic resistance in concrete C20/25	$N_{Rk,sp}^0$ ⁶⁾	[kN]	40	50	50	60	1)		115	1)		140
Respective spacing	$s_{cr,sp}$	[mm]	3 h_{ef}									
Respective edge distance	$c_{cr,sp}$	[mm]	1,5 h_{ef}									
Case 2												
Spacing	$s_{cr,sp}$	[mm]	4 h_{ef}	4 h_{ef}	4 h_{ef}	4 h_{ef}	3 h_{ef}	3 h_{ef}	4 h_{ef}	3 h_{ef}	3 h_{ef}	3,6 h_{ef}
Edge distance	$c_{cr,sp}$	[mm]	2 h_{ef}	2 h_{ef}	2 h_{ef}	2 h_{ef}	1,5 h_{ef}	1,5 h_{ef}	2 h_{ef}	1,5 h_{ef}	1,5 h_{ef}	1,8 h_{ef}
Splitting for minimum thickness of concrete (The higher resistance out of Case 1 and Case 2 may be applied.)												
Minimum thickness of concrete	$h_{min} \geq$	[mm]	130	150	160	180	160	220	240	220	260	290
Case 1												
Characteristic resistance in concrete C20/25	$N_{Rk,sp}^0$ ⁶⁾	[kN]	35	50	40	50	-	75	75	1)		115
Respective spacing	$s_{cr,sp}$	[mm]	3 h_{ef}									
Respective edge distance	$c_{cr,sp}$	[mm]	1,5 h_{ef}									
Case 2												
Spacing	$s_{cr,sp}$	[mm]	5 h_{ef}	5 h_{ef}	6 h_{ef}	5 h_{ef}	5 h_{ef}	5,2 h_{ef}	4,4 h_{ef}	5,2 h_{ef}	4,4 h_{ef}	4,4 h_{ef}
Edge distance	$c_{cr,sp}$	[mm]	2,5 h_{ef}	2,5 h_{ef}	3 h_{ef}	2,5 h_{ef}	2,5 h_{ef}	2,6 h_{ef}	2,2 h_{ef}	2,6 h_{ef}	2,2 h_{ef}	2,2 h_{ef}
Increasing factors for $N_{Rk,p}$ and $N_{Rk,sp}^0$	ψ_C	C25/30	[-]		1,10							
		C30/37	[-]		1,22							
		C40/50	[-]		1,41							
		C45/55	[-]		1,48							
		C50/60	[-]		1,55							
Concrete cone failure												
Effective anchorage depth	h_{ef}	[mm]	90	105	125	145	115	170	190	170	200	225
Spacing	$s_{cr,N}$	[mm]	3 h_{ef}									
Edge distance	$c_{cr,N}$	[mm]	1,5 h_{ef}									
Partial safety factor	$\gamma_{Mp} = \gamma_{Msp} = \gamma_{Mc}$ ^{4) 5)}	[-]	1,5									

1) Pullout failure is not decisive

2) Maximum long term temperature

3) Maximum short term temperature

4) In absence of other national regulations

5) The partial safety factor $\gamma_2 = 1,0$ is included6) For the proof against splitting failure according to ETAG 001 Annex C, $N_{Rk,c}^0$ in equation (5.3) has to be replaced by $N_{Rk,sp}^0$ with consideration of the member thickness ($\psi_{ucr,sp} = 1,0$).**TOX Injection System TVM VMZ**

**Design method A, characteristic values for tension loads
Anchor rod VMZ-A M16-24**

Annex 11

of European
technical approval

ETA-10/0410

Table 8a: Displacements under tension loads VMZ-A M8 – M12

Anchor size VMZ-A			40 M8	50 M8	60 M10	75 M10	75 M12	70 M12	80 M12	95 M12	100 M12	110 M12	125 M12
Tension load in cracked concrete	N	[kN]	4,3	6,1	8,0	11,1	11,1	10,0	12,3	15,9	17,1	19,8	24,0
Displacement	δ_{NO}	[mm]	0,5	0,5	0,5	0,6	0,6	0,6	0,6	0,6	0,6	0,7	0,7
	$\delta_{N_{\infty}}$	[mm]	1,3										
Tension load in non-cracked concrete	N	[kN]	4,3	8,5	11,1	15,6	15,6	14,1	17,2	19,0	24,0	23,8	23,8
Displacement	δ_{NO}	[mm]	0,2	0,4	0,4	0,4	0,4	0,4	0,4	0,4	0,4	0,6	0,6
	$\delta_{N_{\infty}}$	[mm]	1,3										

Table 8b: Displacements under tension loads VMZ-A M16 – M24

Anchor size VMZ-A			90 M16	105 M16	125 M16	145 M16	115 M20	170 M20 (LG)	190 M20 (LG)	170 M24 (LG)	200 M24 (LG)	225 M24 (LG)
Tension load in cracked concrete	N	[kN]	14,6	18,4	24,0	30,0	21,1	38,0	44,9	38,0	48,5	57,9
Displacement	δ_{NO}	[mm]	0,7	0,7	0,7	0,8	0,7	0,8	0,8	0,8	0,9	0,9
	$\delta_{N_{\infty}}$	[mm]	1,3				1,1	1,3				
Tension load in non-cracked concrete	N	[kN]	20,5	25,9	33,0	35,7	29,6	53,3	63,0	53,3	67,9	81,1
Displacement	δ_{NO}	[mm]	0,6	0,6	0,6	0,6	0,5	0,6	0,6	0,6	0,6	0,6
	$\delta_{N_{\infty}}$	[mm]	1,3				1,1	1,3				

TOX Injection System TVM VMZ**Displacements under tension load
Anchor rod VMZ-A****Annex 12**of European
technical approval**ETA-10/0410**

**Table 9a: Design method A,
Characteristic values for shear loads VMZ-A M8 – M12**

Anchor size VMZ-A			40 M8	50 M8	60 M10	75 M10	75 M12	70 M12	80 M12	95 M12	100 M12	110 M12	125 M12
Steel failure without lever arm													
Characteristic shear resistance $V_{Rk,s}$	Steel, zinc plated	[kN]	14	14	21	21	34	34	34	34	34	34	34
	Stainless steel A4, HCR	[kN]	15	15	23	23	34	34	34	34	34	34	34
Partial safety factor	$\gamma_{Ms}^{1)}$	[-]	1,25										
Steel failure with lever arm													
Characteristic bending moments $M_{Rk,s}^0$	Steel, zinc plated	[Nm]	30	30	60	60	105	105	105	105	105	105	105
	Stainless steel A4, HCR	[Nm]	30	30	60	60	105	105	105	105	105	105	105
Partial safety factor	$\gamma_{Ms}^{1)}$	[-]	1,25										
Concrete pryout failure													
Factor in equation (5.6) ETAG Annex C, 5.2.3.3	k	[-]	2										
Partial safety factor	$\gamma_{Mcp}^{1)}$	[-]	1,5 ²⁾										
Concrete edge failure													
Effective length of anchor in shear load	l_t	[mm]	40	50	60	75	75	70	80	95	100	110	112
Diameter of anchor	d_{nom}	[mm]	10	10	12	12	12	14	14	14	14	14	14
Partial safety factor	$\gamma_{Mc}^{1)}$	[-]	1,5 ²⁾										

¹⁾ In absence of other national regulations

²⁾ The partial safety factor $\gamma_2 = 1.0$ is included

Table 10a: Displacements under shear loads VMZ-A M8 – M12

Anchor size VMZ-A			40 M8	50 M8	60 M10	75 M10	75 M12	70 M12	80 M12	95 M12	100 M12	110 M12	125 M12
Shear load in non-cracked concrete	V	[kN]	8,3	8,3	13,3	13,3	19,3	19,3	19,3	19,3	19,3	19,3	19,3
Displacements	δ_{v0}	[mm]	2,4	2,5	2,9	2,9	3,3	3,3	3,3	3,3	3,3	3,3	3,3
	$\delta_{v\infty}$	[mm]	3,6	3,8	4,4	4,4	5,0	5,0	5,0	5,0	5,0	5,0	5,0

TOX Injection System TVM VMZ

**Design method A, characteristic values for to shear loads, displacements
Anchor rod VMZ-A M8-M12**

Annex 13

of European
technical approval

ETA-10/0410

**Table 9b: Design method A,
Characteristic values for shear loads VMZ-A M16 – M24**

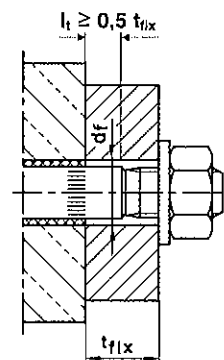
Anchor size VMZ-A			90 M16	105 M16	125 M16	145 M16	115 M20	170 M20 (LG)	190 M20 (LG)	170 M24 (LG)	200 M24 (LG)	225 M24 (LG)
Steel failure without lever arm												
Characteristic shear resistance $V_{Rk,s}$	Steel, zinc plated	[kN]	63	63	63	63	70	149 ²⁾ (98)	149 ²⁾ (98)	178 ²⁾ (141)	178 ²⁾ (141)	178 ²⁾ (141)
	Stainless steel A4, HCR	[kN]	63	63	63	63	86	131 ²⁾ (86)	131 ²⁾ (86)	156 ²⁾ (123)	156 ²⁾ (123)	156 ²⁾ (123)
Partial safety factor	γ_{Ms} ¹⁾	[-]	1,25				1,4	1,25				
Steel failure with lever arm												
Characteristic bending moments $M^0_{Rk,s}$	Steel, zinc plated	[Nm]	266	266	266	266	392	519	519	896	896	896
	Stainless steel A4, HCR	[Nm]	266	266	266	266	454	454	454	784	784	784
Partial safety factor	γ_{Ms} ¹⁾	[-]	1,25				1,4	1,25				
Concrete pryout failure												
Factor in equation (5.6) ETAG Annex C, 5.2.3.3	k	[-]	2									
Partial safety factor	γ_{Mcp} ¹⁾	[-]	1,5 ³⁾									
Concrete edge failure												
Effective length of anchor in shear load	l_f	[mm]	90	105	125	144	115	170	190	170	200	208
Diameter of anchor	d_{nom}	[mm]	18	18	18	18	22	24	24	26	26	26
Partial safety factor	γ_{Mc} ¹⁾	[-]	1,5 ³⁾									

¹⁾ In absence of other national regulations

²⁾ This values may only be applied if $l_f \geq 0,5 t_{fix}$ is ensured

³⁾ The partial safety factor $\gamma_2 = 1,0$ is included

Size M20 + M24

**Table 10b: Displacements under shear loads VMZ-A M16 – M24**

Anchor size VMZ-A			90 M16	105 M16	125 M16	145 M16	115 M20	170 M20 (LG)	190 M20 (LG)	170 M24 (LG)	200 M24 (LG)	225 M24 (LG)
Shear load in non-cracked concrete	V	[kN]	36	36	36	36	44	75 (49)	75 (49)	89 (71)	89 (71)	89 (71)
Displacements	δ_{v0}	[mm]	3,8	3,8	3,8	3,8	3,0	4,3 (3,0)	4,3 (3,0)	4,6 (3,5)	4,6 (3,5)	4,6 (3,5)
	$\delta_{v\infty}$	[mm]	5,7	5,7	5,7	5,7	4,5	6,5 (4,5)	6,5 (4,5)	6,9 (5,3)	6,9 (5,3)	6,9 (5,3)

TOX Injection System TVM VMZ

**Design method A, characteristic values for shear loads, displacements
Anchor rod VMZ-A M16-M24**

Annex 14

of European
technical approval

ETA-10/0410

Marking: e.g. \diamond 80 VMZ M10

- \diamond Identifying mark of manufacturing plant
 80 Anchorage depth
 VMZ Trade name
 M10 Size of internal thread

- A4 additional marking of stainless steel A4
 HCR addition marking of high corrosion resistant steel HCR

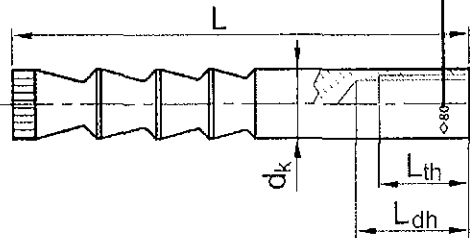


Table 11: Dimensions on anchor rod VMZ-IG

Anchor size VMZ-IG		40 M6	50 M6	60 M8	75 M8	70 M10	80 M10	90 M12	105 M12	125 M12	115 M16	170 M16	170 M20
Internal thread	-	M6	M6	M8	M8	M10	M10	M12	M12	M12	M16	M16	M20
Number of cones	-	2	3	3	3	3	4	3	4	6	3	6	6
Outer diameter	d_k [mm]	8,0	8,0	9,7	10,7	12,5	12,5	16,5	16,5	16,5	19,7	22,0	24,0
Thread length	L_{th} [mm]	12	15	16	19	20	23	24	27	30	32	32	40
Total length	L [mm]	41	52	63	78	74	84	94	109	130	120	180	182
Length identifier	[mm]	L_{dh} < 18	L_{dh} > 19	L_{dh} < 22,5	L_{dh} > 23,5	L_{dh} < 27	L_{dh} > 28	L_{dh} < 31,5	32,5 < L_{dh} < 34,5	L_{dh} > 35,5	d_k < 21	d_k > 21	-

Table 12: Materials VMZ-IG

Part	Designation	Steel, zinc plated	Stainless steel A4	High corrosion resistant steel (HCR)
1	Anchor rod	Steel acc. to EN 10087, galvanised and coated	Stainless steel, 1.4401, 1.4404, 1.4571, 1.4362, EN 10088, coated	High corrosion resistant steel 1.4529, 1.4565, acc. to EN 10088, coated
4	Mortar cartridge	Vinylester resin, styrene free, mineral aggregate 1:10		

Requirements of the fastening screw or the threaded rod and nut

- Minimum screw-in depth L_{sdmin} see Table 14
- The length of screw or the threaded rod must depending on the thickness of fixture t_{fix} , available thread length L_{th} (= maximum available thread length, see Table 14) and the minimum screw-in depth L_{sdmin} be established.
- $A_5 > 8\%$ Ductility

Steel, zinc plated

- Minimum property class 8.8 according to EN ISO 898-1 or EN 20898-2

Stainless steel A4

- Material 1.4401; 1.4404; 1.4578; 1.4571; 1.4439; 1.4362, acc. to EN 10088
- Minimum property class 70 according to EN ISO 3506

High corrosion resistant steel (HCR)

- Material 1.4529; 1.4565, according to EN 10088
- Minimum property class 70 according to EN ISO 3506

TOX Injection System TVM VMZ

Annex 15

Dimensions, Materials
 Anchor rod VMZ-IG

of European
 technical approval

ETA-10/0410

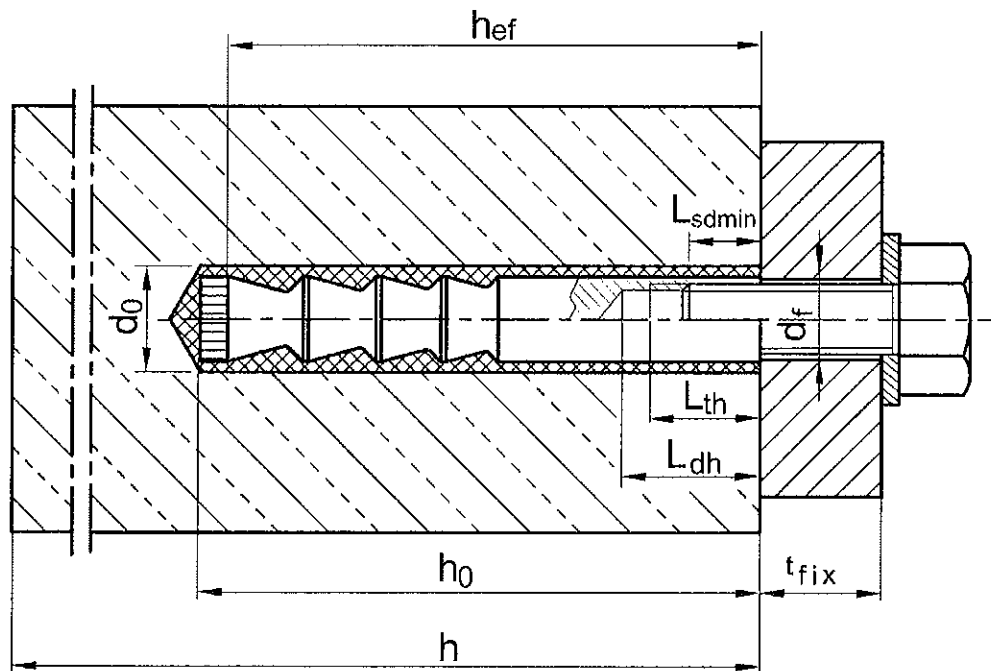
Table 13: Installation conditions VMZ-IG

Anchor size VMZ-A			M6 – M8	M10 – M20
Nominal diameter of drill hole	d_0	[mm]	< 14	≥ 14
Installation allowable in	dry concrete	-	yes	yes
	wet concrete	-	yes	yes
	water-filled hole ¹⁾	-	no	yes

¹⁾ Special requirements see Section 4.3.

Table 14: Installation parameters VMZ-IG

Anchor size VMZ-IG			40 M6	50 M6	60 M8	75 M8	70 M10	80 M10	90 M12	105 M12	125 M12	115 M16	170 M16	170 M20
Effective anchorage depth	$h_{ef} =$	[mm]	40	50	60	75	70	80	90	105	125	115	170	170
Nominal diameter of drill hole	$d_0 =$	[mm]	10	10	12	12	14	14	18	18	18	22	24	26
Depth of drill hole	$d_0 \geq$	[mm]	42	55	65	80	80	85	98	113	133	120	180	185
Diameter of cleaning brush	$D \geq$	[mm]	10,8	10,8	13,0	13,0	15,0	15,0	19,0	19,0	19,0	23,0	25,0	27,0
Installation torque	$T_{inst} \leq$	[Nm]	8	8	10	10	15	15	25	25	25	50	50	80
Diameter of clearance hole in the fixture	$d_f \leq$	[mm]	7	7	9	9	12	12	14	14	14	18	18	22
Available thread length	L_{th}	[mm]	12	12	16	16	20	20	24	24	24	32	32	40
Minimum screw-in depth	L_{smin}	[mm]	7	7	9	9	12	12	14	14	14	18	18	22



TOX Injection System TVM VMZ

**Installation conditions,
Installation parameters
Anchor rod VMZ-IG**

Annex 16

of European
technical approval

ETA-10/0410

Installation instructions VMZ-IG

1		<p>Use Hammer drill or air drill with drill bit and depth gauge. Drill perpendicular to concrete surface.</p> <p>Drill hole must be cleaned directly prior to installation of the anchor.</p>
2a		<p>VMZ-IG M6 - M12: Blow out drill hole from the bottom with Hand - Pump at least two times. The Extension Tube with reduced diameter must be added to the Blow-out pump for the diameter M8.</p>
2b		<p>VMZ-IG M16 - M20: Connect blow – out Gun to compressed air (min. 6 bar, oil-free). Open air valve and blow out drill hole along the entire depth with back and forth motion at least two times.</p>
3		<p>Check diameter of Cleaning Brush. If Brush can be pushed into the drill hole without any resistance, it must be replaced. Chuck Brush into drill machine. Turn on drill machine. Brush drill hole back and forth along the entire drill hole depth at least two times while rotated by drill machine.</p>
4a		<p>VMZ-IG M6 - M12: Blow out drill hole from the bottom with Hand - Pump at least two times. The Extension Tube with reduced diameter must be added to the Blow-out pump for the diameter M8.</p>
4b		<p>VMZ-IG M16 - M20: Connect blow – out Gun to compressed air (min. 6 bar, oil-free). Open air valve and blow out drill hole along the entire depth with back and forth motion at least two times.</p>
5		<p>Check expiration date on TVM VMZ cartridge. Never use when expired. Remove cap from TVM VMZ cartridge. Screw Mixer Nozzle VM-X on cartridge. When using a new cartridge always use a new Mixer Nozzle. Never use cartridge without Mixer Nozzle and never use Mixer Nozzle without helix inside.</p>
6		<p>Insert cartridge in Dispenser. Before injecting discard mortar (at least 2 full strokes or a line o f 10 cm) until it shows a consistent grey colour. Never use this mortar.</p>
7		<p>Prior to injection check if Mixer Nozzle reaches the bottom of the drill hole. If it does not reach the bottom, plug Mixer Extension onto Mixer Nozzle in order to properly fill the drill hole. Fill cleaned drill hole with a sufficient quantity of injection mortar. Start from the bottom of the drill hole and work out to avoid trapping air pockets.</p>
8		<p>Insert the anchor VMZ-IG rod by hand, rotating slightly up to about 1mm below the concrete surface in the drill hole. The anchor rod is properly set when excess mortar seeps from the hole. If the hole is not completely filled, up out anchor rod, let mortar cure, drill out hole and start again from No. 2.</p>
9		<p>Follow minimum curing time shown in Table 15. During curing time anchor rod must not be moved or loaded.</p>
10		<p>Remove excess mortar.</p>
11		<p>The fixture can be mounted after curing time. Apply installation torque T_{inst} according to Table 14 by using torque wrench.</p>

TOX Injection System TVM VMZ

Annex 17

**Installation instructions
Anchor rod VMZ-IG**

of European
technical approval

ETA-10/0410

Table 15: Maximum processing time and minimum curing time

Temperature [°C] in the drill hole	Maximum processing time	Minimum curing time	
		dry concrete	wet concrete
+ 40 °C	1,4 min	15 min	30 min
+ 35 °C	2 min	20 min	40 min
+ 30 °C	4 min	25 min	50 min
+ 20 °C	6 min	45 min	1:30 h
+ 10 °C	12 min	1:20 h	2:40 h
+ 5 °C	20 min	2:00 h	4:00 h
0 °C	45 min	3:00 h	6:00 h
- 5 °C	1:30 h	6:00 h	12:00 h

Table 16: Minimum thickness of concrete, minimum spacing and edge distance VMZ-IG

Anchor size VMZ-IG		40 M6	50 M6	60 M8	75 M8	70 M10	80 M10	90 M12	105 M12	125 M12	115 M16	170 M16	170 M20
Minimum thickness of concrete	h_{min} [mm]	80	80	100	110	110	110	130	150	170 160 ¹⁾	160	230 220 ¹⁾	230 220 ¹⁾
Cracked concrete													
Minimum spacing	s_{min} [mm]	40	40	40	40	55	40	50	50	60	80	80	80
Minimum edge distance	c_{min} [mm]	40	40	40	40	55	50	50	50	60	80	80	80
Non-cracked concrete													
Minimum spacing	s_{min} [mm]	40	40	50	50	55	55	50	60	60	80	80	80
Minimum edge distance	c_{min} [mm]	40	40	50	50	55	55	50	60	60	80	80	80

¹⁾ The remote face of the concrete member shall be inspected to ensure there has been no break-through by drilling. In case of break-through the ground of the drill hole shall be closed with high strength mortar. The full bonded length h_{ef} shall be achieved and any potential loss of injection mortar shall be compensated.

TOX Injection System TVM VMZ

**Processing time, curing time,
Minimum thickness of concrete,
Minimum spacing and edge distance
Anchor rod VMZ-IG**

Annex 18

of European
technical approval

ETA-10/0410

**Table 17: Design method A,
Characteristic values for tension loads VMZ-IG**

Anchor size VMZ-IG		40 M6	50 M6	60 M8	75 M8	70 M10	80 M10	90 M12	105 M12	125 M12	115 M16	170 M16	170 M20	
Steel failure														
Characteristic tension resistance $N_{Rk,s}$	Steel, zinc plated	[kN]	15	16	19	29	35	35	67	67	67	52	125	108
	Stainless steel A4 / HCR	[kN]	11	11	19	21	33	33	47	47	47	65	88	94
Partial safety factor	γ_{Ms} ⁴⁾	[-]	1,5											
Pullout														
Characteristic resistance $N_{Rk,p}$	50°C ²⁾ /80°C ³⁾	[kN]	1)											
in cracked concrete 20/25	72°C ²⁾ /120°C ³⁾	[kN]	5	7,5	12	12	16	20	20	30	50	30	60	75
Characteristic resistance $N_{Rk,p}$	50°C ²⁾ /80°C ³⁾	[kN]	1)											
in non-cracked concrete C20/25	72°C ²⁾ /120°C ³⁾	[kN]	9											
		[kN]	6	9	16	16	16	25	25	35	50	40	75	95
Splitting for standard thickness of concrete (The higher resistance of Case 1 and Case 2 may be applied.)														
Standard thickness of concrete	$h_{std} \geq 2h_{ef}$	[mm]	100	100	120	150	140	160	180	200	250	230	340	340
Case 1														
Characteristic resistance in concrete C20/25 ⁶⁾	$N_{Rk,sp}^0$ ⁶⁾	[kN]	7,5	9	16	20	20	1)	40	50	50	1)		
Respective spacing	$s_{cr,sp}$	[mm]	3 h_{ef}											
Respective edge distance	$c_{cr,sp}$	[mm]	1,5 h_{ef}											
Case 2														
Spacing	$s_{cr,sp}$	[mm]	6 h_{ef}	6 h_{ef}	5 h_{ef}	7 h_{ef}	5 h_{ef}	3 h_{ef}	4 h_{ef}	4 h_{ef}	4 h_{ef}	3 h_{ef}	3 h_{ef}	3 h_{ef}
Edge distance	$c_{cr,sp}$	[mm]	3 h_{ef}	3 h_{ef}	2,5 h_{ef}	3,5 h_{ef}	2,5 h_{ef}	1,5 h_{ef}	2 h_{ef}	2 h_{ef}	2 h_{ef}	1,5 h_{ef}	1,5 h_{ef}	1,5 h_{ef}
Splitting for minimum thickness of concrete (The higher resistance of Case 1 and Case 2 may be applied.)														
Minimum thickness of concrete	$h_{min} \geq$	[mm]	80	80	100	110	110	110	130	150	160	160	220	220
Case 1														
Characteristic resistance in concrete C20/25	$N_{Rk,sp}^0$ ⁶⁾	[kN]	7,5	-	16	16	20	25	35	50	40	-	75	1)
Respective spacing	$s_{cr,sp}$	[mm]	3 h_{ef}											
Respective edge distance	$c_{cr,sp}$	[mm]	1,5 h_{ef}											
Case 2														
Spacing	$s_{cr,sp}$	[mm]	6 h_{ef}	7 h_{ef}	6 h_{ef}	7 h_{ef}	7 h_{ef}	6 h_{ef}	5 h_{ef}	5 h_{ef}	6 h_{ef}	5 h_{ef}	5,2 h_{ef}	5,2 h_{ef}
Edge distance	$c_{cr,sp}$	[mm]	3 h_{ef}	3,5 h_{ef}	3 h_{ef}	3,5 h_{ef}	3,5 h_{ef}	3 h_{ef}	2,5 h_{ef}	2,5 h_{ef}	3 h_{ef}	2,5 h_{ef}	2,6 h_{ef}	2,6 h_{ef}
Increasing factors for $N_{Rk,p}$ and $N_{Rk,sp}^0$	ψ_c	C25/30	[-]	1,10										
		C30/37	[-]	1,22										
		C40/50	[-]	1,41										
		C45/55	[-]	1,48										
		C50/60	[-]	1,55										
Concrete cone failure														
Effective anchorage depth	h_{ef}	[mm]	40	50	60	75	70	80	90	105	125	115	170	170
Spacing	$s_{cr,N}$	[mm]	3 h_{ef}											
Edge distance	$c_{cr,N}$	[mm]	1,5 h_{ef}											
Partial safety factor	$\gamma_{Mp} = \gamma_{Msp} = \gamma_{Mc}$ ^{4) 5)}	[-]	1,5											

1) Pullout failure is not decisive

2) Maximum long term temperature

3) Maximum short term temperature

4) In absence of other national regulations

5) The partial safety factor $\gamma_2 = 1,0$ is included

6) For the proof against splitting failure according to ETAG 001 Annex C, $N_{Rk,c}^0$ in equation (5.3) has to be replaced by $N_{Rk,sp}^0$ with consideration of the member thickness ($\psi_{ucr,sp} = 1,0$).

TOX Injection System TVM VMZ

**Design method A,
characteristic values for tension loads
Anchor rod VMZ-IG**

Annex 19

of European
technical approval

ETA-10/0410

Table 18: Displacements under tension loads VMZ-IG

Anchor size VMZ-IG			40 M6	50 M6	60 M8	75 M8	70 M10	80 M10	90 M12	105 M12	125 M12	115 M16	170 M16	170 M20
Tension load in cracked concrete	N	[kN]	4,3	6,1	8,0	11,1	10,0	12,3	14,6	18,4	24,0	21,1	38,0	38,0
Displacement	δ_{NO}	[mm]	0,5	0,5	0,5	0,6	0,6	0,6	0,7	0,7	0,7	0,7	0,8	0,8
	$\delta_{N_{\infty}}$	[mm]	1,3									1,1	1,3	
Tension load in non-cracked concrete	N	[kN]	4,3	8,5	11,1	15,6	14,1	17,2	20,5	25,9	33,0	29,6	53,3	53,3
Displacement	δ_{NO}	[mm]	0,2	0,4	0,4	0,4	0,4	0,4	0,6	0,6	0,6	0,5	0,6	0,6
	$\delta_{N_{\infty}}$	[mm]	1,3									1,1	1,3	

**Table 19: Design method A,
Characteristic values for shear loads VMZ-IG**

Anchor size VMZ-IG			40 M6	50 M6	60 M8	75 M8	70 M10	80 M10	90 M12	105 M12	125 M12	115 M16	170 M16	170 M20	
Steel failure without lever arm															
Characteristic shear resistance	$V_{Rk,s}$	Steel, zinc plated	[kN]	8	8	9,5	15	18	18	34	34	34	26	63	54
Characteristic shear resistance	$V_{Rk,s}$	Stainless steel A4 / HCR	[kN]	5,5	5,5	9,5	10	16	16	24	24	24	32	44	47
Partial Safety factor	$\gamma_{Ms}^{1)}$		[-]	1,25											
Steel failure with lever arm															
Characteristic bending moments	$M_{Rk,s}^0$	Steel, zinc plated	[kN]	12	12	30	30	60	60	105	105	105	212	266	519
Characteristic bending moments	$M_{Rk,s}^0$	Stainless steel A4 / HCR	[kN]	8,5	8,5	21	21	42	42	74	74	74	187	187	365
Partial safety factor	$\gamma_{Ms}^{1)}$		[-]	1,25											
Concrete pryout failure															
Factor in equation (5.6) ETAG Annex C, 5.2.3.3	k		[-]	2											
Partial safety factor	$\gamma_{Mcp}^{1)}$		[-]	1,5 ²⁾											
Concrete edge failure															
Effective length of anchor in shear load	l_f		[mm]	40	50	60	75	70	80	90	105	125	115	170	170
Diameter of anchor	d_{nom}		[mm]	10	10	12	12	14	14	18	18	18	22	24	26
Partial safety factor	$\gamma_{Mc}^{1)}$		[-]	1,5 ²⁾											

¹⁾ In absence of other national regulations

²⁾ The partial safety factor $\gamma_2 = 1,0$ included

Table 20: Displacements under shear loads VMZ-IG

Anchor size VMZ-IG			40 M6	50 M6	60 M8	75 M8	70 M10	80 M10	90 M12	105 M12	125 M12	115 M16	170 M16	170 M20
Shear load	V	[kN]	4,6	4,6	5,4	8,4	10,1	10,1	19,3	19,3	19,3	14,8	35,8	30,7
Displacements	δ_{v0}	[mm]	0,4	0,4	0,5	0,4	0,5	0,5	1,2	1,2	1,2	0,8	1,9	1,2
	$\delta_{v_{\infty}}$	[mm]	0,7	0,7	0,8	0,7	0,8	0,8	1,9	1,9	1,9	1,2	2,8	1,9
Shear load	V	[kN]	3,2	3,2	5,4	5,9	9,3	9,3	13,5	13,5	13,5	18,5	25,2	26,9
Displacements	δ_{v0}	[mm]	0,3	0,3	0,5	0,3	0,5	0,5	0,9	0,9	0,9	1,0	1,4	1,1
	$\delta_{v_{\infty}}$	[mm]	0,4	0,4	0,7	0,5	0,7	0,7	1,4	1,4	1,4	1,5	2,1	1,6

TOX Injection System TVM VMZ

**Design method A, Characteristic values for to shear loads, displacements
Anchor rod VMZ-IG**

Annex 20

of European
technical approval

ETA-10/0410