



## European technical approval ETA-12/0175

English translation prepared by DIBt - Original version in German language

Handelsbezeichnung  
*Trade name*

KEIL Hinterschnittanker KH in Verbindung mit Fassadenplatte  
"Petaluxe Fassade"

*KEIL undercut anchor KH for stoneware facade panels "Petaluxe facade"*

Zulassungsinhaber  
*Holder of approval*

Petaluxe GmbH  
Siemensstraße 34  
06449 Aschersleben  
DEUTSCHLAND

Zulassungsgegenstand  
und Verwendungszweck  
*Generic type and use  
of construction product*

Spezialanker zur rückseitigen Befestigung von Fassadenplatten aus  
keramischen Fliesen (Feinsteinzeug) nach EN 14411

*Special anchor for the rear fixing of facade panels made of ceramic  
plates (stoneware) according to EN 14411*

Geltungsdauer:  
*Validity:* vom  
*from*  
bis  
*to*

26 June 2013  
19 March 2018

Herstellwerke  
*Manufacturing plants*

KEIL Hinterschnittanker KH: KEIL Befestigungstechnik GmbH  
Fassadenplatte: Petraluxe GmbH

Diese Zulassung umfasst  
*This Approval contains*

17 Seiten einschließlich 9 Anhänge  
*17 pages including 9 annexes*

Diese Zulassung ersetzt  
*This Approval replaces*

ETA-12/0175 mit Geltungsdauer vom 15.03.2012 bis 03.06.2014  
*ETA-12/0175 with validity from 15.03.2012 to 03.06.2014*

## I LEGAL BASES AND GENERAL CONDITIONS

- 1 This European technical approval is issued by Deutsches Institut für Bautechnik in accordance with:
  - Council Directive 89/106/EEC of 21 December 1988 on the approximation of laws, regulations and administrative provisions of Member States relating to construction products<sup>1</sup>, modified by Council Directive 93/68/EEC<sup>2</sup> and Regulation (EC) N° 1882/2003 of the European Parliament and of the Council<sup>3</sup>;
  - *Gesetz über das In-Verkehr-Bringen von und den freien Warenverkehr mit Bauprodukten zur Umsetzung der Richtlinie 89/106/EWG des Rates vom 21. Dezember 1988 zur Angleichung der Rechts- und Verwaltungsvorschriften der Mitgliedstaaten über Bauprodukte und anderer Rechtsakte der Europäischen Gemeinschaften (Bauproduktengesetz - BauPG) vom 28. April 1998<sup>4</sup>, as amended by Article 2 of the law of 8 November 2011<sup>5</sup>;*
  - Common Procedural Rules for Requesting, Preparing and the Granting of European technical approvals set out in the Annex to Commission Decision 94/23/EC<sup>6</sup>.
- 2 Deutsches Institut für Bautechnik is authorized to check whether the provisions of this European technical approval are met. Checking may take place in the manufacturing plant. Nevertheless, the responsibility for the conformity of the products to the European technical approval and for their fitness for the intended use remains with the holder of the European technical approval.
- 3 This European technical approval is not to be transferred to manufacturers or agents of manufacturers other than those indicated on page 1, or manufacturing plants other than those indicated on page 1 of this European technical approval.
- 4 This European technical approval may be withdrawn by Deutsches Institut für Bautechnik, in particular pursuant to information by the Commission according to Article 5(1) of Council Directive 89/106/EEC.
- 5 Reproduction of this European technical approval including transmission by electronic means shall be in full. However, partial reproduction can be made with the written consent of Deutsches Institut für Bautechnik. In this case partial reproduction has to be designated as such. Texts and drawings of advertising brochures shall not contradict or misuse the European technical approval.
- 6 The European technical approval is issued by the approval body in its official language. This version corresponds fully to the version circulated within EOTA. Translations into other languages have to be designated as such.

<sup>1</sup> Official Journal of the European Communities L 40, 11 February 1989, p. 12  
<sup>2</sup> Official Journal of the European Communities L 220, 30 August 1993, p. 1  
<sup>3</sup> Official Journal of the European Union L 284, 31 October 2003, p. 25  
<sup>4</sup> *Bundesgesetzblatt Teil I 1998*, p. 812  
<sup>5</sup> *Bundesgesetzblatt Teil I 2011*, p. 2178  
<sup>6</sup> Official Journal of the European Communities L 17, 20 January 1994, p. 34

## II SPECIFIC CONDITIONS OF THE EUROPEAN TECHNICAL APPROVAL

### 1 Definition of the product and intended use

#### 1.1 Definition of the product

The "KEIL undercut anchor KH" is a special anchor consisting of a crosswise slotted anchor sleeve with an M6 internal thread, at the upper edge of which a hexagon is formed to it and a respective hexagon screw with an integrated tooth lock washer. The anchor sleeve and the hexagon screw with the integrated tooth lock washer are made of stainless steel. The anchor is put into an undercut drill hole and by driving-in the screw it is placed form-fitted and deformation-controlled.

For the installed anchor see figure in Annex 1.

#### 1.2 Intended use

The "KEIL undercut anchor KH" may be used for rear fixing of façade panels made of ceramic plates (stoneware) according to EN 14411. The stoneware façade panels shall correspond to the group Al<sub>a</sub>, Al<sub>b</sub>, Bl<sub>a</sub> or Bl<sub>b</sub> according to EN 14411 and to the specifications given in this European technical approval.

The façade panels with rear fixing by the anchor may be used for front curtain walls. Each façade panel shall be fixed technically strain-free with at least four anchors in a rectangular arrangement via single agraffes on a capable substructure (for small panels or small fitted pieces, differential or fill-in pieces the number and position of the anchors shall be chosen constructively).

The anchor may be used in structures subject to dry internal conditions and also in structures subject to external atmospheric exposure (including industrial and marine environment), if no particular aggressive conditions exist. Such particular aggressive conditions are e.g. permanent, alternating immersion in seawater or the splash zone of seawater, chloride atmosphere of indoor swimming pools or atmosphere with extreme chemical pollution (e.g. in desulphurisation plants or road tunnels where de-icing materials are used).

The provisions made in this European technical approval are based on an assumed working life of the anchor of 50 years. The indications given on the working life cannot be interpreted as a guarantee given by the producer, but are to be regarded only as a means for choosing the right products in relation to the expected economically reasonable working life of the works.

### 2 Characteristics of the product and method of verification

#### 2.1 Characteristics of the product

The anchor corresponds to the drawings and specifications given in Annex 2. The characteristic material values, dimensions and tolerances of the anchor not indicated in Annex 2 shall correspond to the respective values laid down in the technical documentation<sup>7</sup> of this European technical approval.

<sup>7</sup> The technical documentation comprises all information necessary for the production, installation and maintenance of the anchor; these are in particular the design drawings and the installation instructions. The part to be treated confidentially is deposited with Deutsches Institut für Bautechnik and, as far as this is relevant to the tasks of the approved bodies involved in the procedure of attestation of conformity, shall only be handed over to the approved body.

The anchor is considered to satisfy the requirements for performance class A1 of the characteristic reaction to fire, in accordance with the provisions of EC decision 96/603/EC (as amended) without the need for testing on the basis of its listing in that decision.

In addition to the specific clauses relating to dangerous substances contained in this European technical approval, there may be other requirements applicable to the products falling within its scope (e.g. transposed European legislation and national laws, regulations and administrative provisions). In order to meet the provisions of the Construction Products Directive, these requirements need also to be complied with, when and where they apply.

The characteristic values for the design of the façade panels and the anchor are given in Annex 4.

Each anchor sleeve and each screw is marked with the identifying mark of the producer according to Annex 2.

The Anchor shall only be packaged and supplied as a complete unit (anchor sleeve and screw).

## 2.2 Methods of verification

The assessment of fitness of the anchor for the intended use in relation to the requirement for safety in use in the sense of the essential requirement N°4 of Council Directive 89/106/EEC has been made based on the following tests:

- (1) Axial tension tests
- (2) Shear tests
- (3) Tests with combined tension and shear loading
- (4) Tests on structural members
- (5) Tests on functioning under repeated loads
- (6) Tests on functioning under sustained loads
- (7) Tests on functioning under freeze/thaw conditions (25 freeze/thaw cycles)
- (8) Tests on functioning after immersion in water.
- (9) Tests on functioning under temperature

## 3 Evaluation and attestation of conformity and CE marking

### 3.1 System of attestation of conformity

According to the communication of the European Commission<sup>8</sup> the system 2 (ii)-1 (referred to as System 2+) of attestation of conformity applies.

These systems of attestation of conformity are defined as follows:

System 2+: Declaration of conformity of the product by the manufacturer on the basis of:

- (a) Tasks for the manufacturer:
  - (1) initial type-testing of the product;
  - (2) factory production control;
  - (3) testing of samples taken at the factory in accordance with a prescribed test plan.
- (b) Tasks for the approved body:
  - (4) certification of factory production control on the basis of:
    - initial inspection of factory and of factory production control;
    - continuous surveillance, assessment and approval of factory production control.

<sup>8</sup> Letter of the European Commission of 22/07/2002 to EOTA

## 3.2 Responsibilities

### 3.2.1 Tasks for the manufacturer

#### 3.2.1.1 Factory production control

The manufacturer shall exercise permanent internal control of production. All the elements, requirements and provisions adopted by the manufacturer shall be documented in a systematic manner in the form of written policies and procedures, including records of results performed. This production control system shall insure that the product is in conformity with this European technical approval.

The manufacturer may only use initial materials and components stated in the technical documentation of this European technical approval.

The factory production control shall be in accordance with the control plan<sup>9</sup> which is part of the technical documentation of this European technical approval. The control plan is laid down in the context of the factory production control system operated by the manufacturer and deposited with Deutsches Institut für Bautechnik.

The results of factory production control shall be recorded and evaluated in accordance with the provisions of the control plan.

#### 3.2.1.2 Other tasks for the manufacturer

The manufacturer shall, on the basis of a contract, involve a body which is approved for the tasks referred to in section 3.1 in the field of "anchors" in order to undertake the actions laid down in section 3.2.2. For this purpose, the control plan referred to in sections 3.2.1.1 and 3.2.2 shall be handed over by the manufacturer to the approved body involved.

The manufacturer shall make a declaration of conformity, stating that the construction product is in conformity with the provisions of this European technical approval.

### 3.2.2 Tasks of approved bodies

The approved body shall perform the following tasks in accordance with the provisions laid down in the control plan:

- initial inspection of factory and of factory production control,
- continuous surveillance, assessment and approval of factory production control.

The approved body shall retain the essential points of its actions referred to above and state the results obtained and conclusions drawn in a written report.

The approved certification body involved by the manufacturer shall issue an EC certificate of conformity of the factory production control stating the conformity with the provisions of this European technical approval.

In cases where the provisions of the European technical approval and its "control plan" are no longer fulfilled the certification body shall withdraw the certificate of conformity and inform Deutsches Institut für Bautechnik without delay.

<sup>9</sup> The control plan is a confidential part of the European technical approval and only handed over to the approved body involved in the procedure of attestation of conformity. See section 3.2.2.

### 3.3 CE marking

The CE marking shall be affixed on the packaging or accompanying commercial document, e.g. the EC declaration of conformity. The letters "CE" shall be followed by the identification number of the approved certification body, where relevant, and be accompanied by the following additional information:

- the name and address of the producer (legal entity responsible for the manufacturer),
- the last two digits of the year in which the CE marking was affixed,
- the number of the EC certificate for the factory production control,
- the number of the European technical approval,
- use category (25 freeze/thaw cycles),
- size.

## 4 Assumptions under which the fitness of the product for the intended use was favourably assessed

### 4.1 Manufacture

The anchor is manufactured in accordance with the provisions of the European technical approval using the automated manufacturing process as identified in the inspection of the plant by Deutsches Institut für Bautechnik and the approved body and laid down in the technical documentation.

The European technical approval is issued for the product on the basis of agreed data/information, deposited with Deutsches Institut für Bautechnik, which identifies the product that has been assessed and judged. Changes to the product or production process, which could result in this deposited data/information being incorrect, should be notified to Deutsches Institut für Bautechnik before the changes are introduced. Deutsches Institut für Bautechnik will decide whether or not such changes affect the European technical approval and consequently the validity of the CE marking on the basis of the European technical approval and if so whether further assessment or alterations to the European technical approval shall be necessary.

### 4.2 Installation

#### 4.2.1 Design of the fixings

The fitness of the anchor for the intended use is given under the following conditions:

- the stoneware façade panels shall correspond to the group AI<sub>a</sub>, AI<sub>b</sub>, BI<sub>a</sub> or BI<sub>b</sub> according to EN 14411 and to the specifications given in Annex 6,
- each façade panel is fixed with at least four anchors in a rectangular arrangement via single agraffes on the substructure (for small panels or small fitted pieces, differential or fill- in pieces the number and position of the anchors shall be chosen constructively),
- the façade panels are arranged in a "reclined" or "upright" position, they also may be fixed at façade soffits,
- the substructure is constructed such that the façade panels are fixed according to Annex 5 technically strain-free via skids (loose bearings) and one fixed point (fixed bearing) - the fixed point may be placed at the panel edge or in the panel field - and that there are no additional loads acting on the panels and their fixings due to excentric load application / load transfer (symmetrical bearing of the panels),
- two fixing points of the façade panel are designed such that they are able to carry the dead load of the façade panel,

- when using agraffes on horizontal load-bearing profiles the fixing points of a façade panel situated horizontally at the same height are fastened in each case to the same load-bearing profile,
- the façade panels neither are used to transmit impact loads nor for guard rail,
- joint construction between the façade panels is done by a joint filler or are kept open; it is ensured that additional stresses (e.g. by temperature) do not lead to important additional loadings,
- taking account of the loads to be fixed checkable calculations and construction drawings are prepared; the position of the anchor is given in the construction drawing,
- the façade panels, their fixings as well as the substructure including its connection to wall brackets and their connection to the construction works are designed for the respective case of application under the responsibility of an engineer skilled in the field of façade construction,
- the design of the façade panels and their fixing is carried out according to the conditions given in Annex 7 to Annex 9,
- For flush fixed anchors and for installation of horizontal load-bearing profiles permanent loads due to torsion of the profile shall be considered in addition to actions from dead loads and wind in direction of the anchor axes. Simplifying these permanent loads can be determined as follows:

Load due to torsion of the load-bearing profile resulting from dead load of the façade panel

$$N_{V,Ek} = V_{Ek} \cdot 2e/c_H$$

with  $V_{Ek}$  = shear load due to dead load of the façade panel

e und  $c_H$  [mm] see Annex 4

The load due to torsion can be neglected, when there is no horizontal distance between anchor and vertical load-bearing profile.

- for the design relevant characteristic values of the anchor (resistance) as well as the characteristic values of the façade panels (bending strength, modulus of elastic, specific weight) are taken from Annex 4,
- the edge distances, spacing and anchorage depth of the anchor as well as the nominal panel thickness of the façade panels according to Annex 4 are observed.

#### 4.2.2 Installation of the anchors

The fitness for use of the anchor can be assumed only, if the following installation conditions are observed:

- during transport and storage on site the façade panels are protected from damages; the façade panels are not be hung up jerkily (if need be lifters shall be used for hanging up the façade panels); façade panels and reveal panels respectively with incipient cracks are not be installed,
- the façade are installed by skilled specialists and the laying instructions of the manufacturer shall be paid attention to,
- installation only as delivered by the manufacturer without exchanging the individual parts,
- installation according to manufacturer's specifications and construction drawings using the tools indicated in the installation instructions,
- keeping of the edge distance and spacing to the specified values,
- making of the undercut drilling is done with the drill bit according to Annex 3 and a special drilling device in accordance with the information deposited with Deutsches Institut für Bautechnik,



## European technical approval

ETA-12/0175

Page 8 of 17 | 26 June 2013

English translation prepared by DIBt

- The drillings are done at the factory or on site under workshop conditions; when making the drillings on site the execution is supervised by the responsible project supervisor or a skilled representative of the project supervisor.
- keeping the setting depth according to Annex 2,
- the drillings are removed from the drill hole,
- in case of aborted hole: new drilling at a minimum distance away of twice the depth of the aborted hole,
- the geometry of the drill hole is checked on 1 % of all drillings. The following dimensions shall be checked and documented according to manufacturer's information and testing instructions by means of a measuring device according to Annex 3:
  - Volume of the undercut drill hole;
  - Depth position of the undercut; the distance between the lower edge of the measuring device and the façade panel is between 0.0 and 0.3 mm (see Annex 3).

If the given tolerances are exceeded, the geometry of the drill hole shall be checked on 25% of the drillings performed. No further drill hole may exceed the tolerances otherwise all the drill holes shall be controlled. Drilling holes falling below or exceeding the tolerances shall be rejected.

- between agraffe and façade panel an elastic sandwich layer may be placed,
- fixing the screw with a torque moment  $2.5 \text{ Nm} \leq T_{\text{inst}} \leq 4.0 \text{ Nm}$  using a calibrated torque wrench.

## 5 Indications to the manufacturer

It is in the responsibility of the manufacturer to ensure that the information on the specific conditions according to 1 and 2 including Annexes referred to and 4.2.1 and 4.2.2 is given to those who are concerned. This information may be made by reproduction of the respective parts of the European technical approval. In addition all installation data shall be shown clearly on the package and/or on an enclosed instruction sheet, preferably using illustration(s).

The minimum data required are:

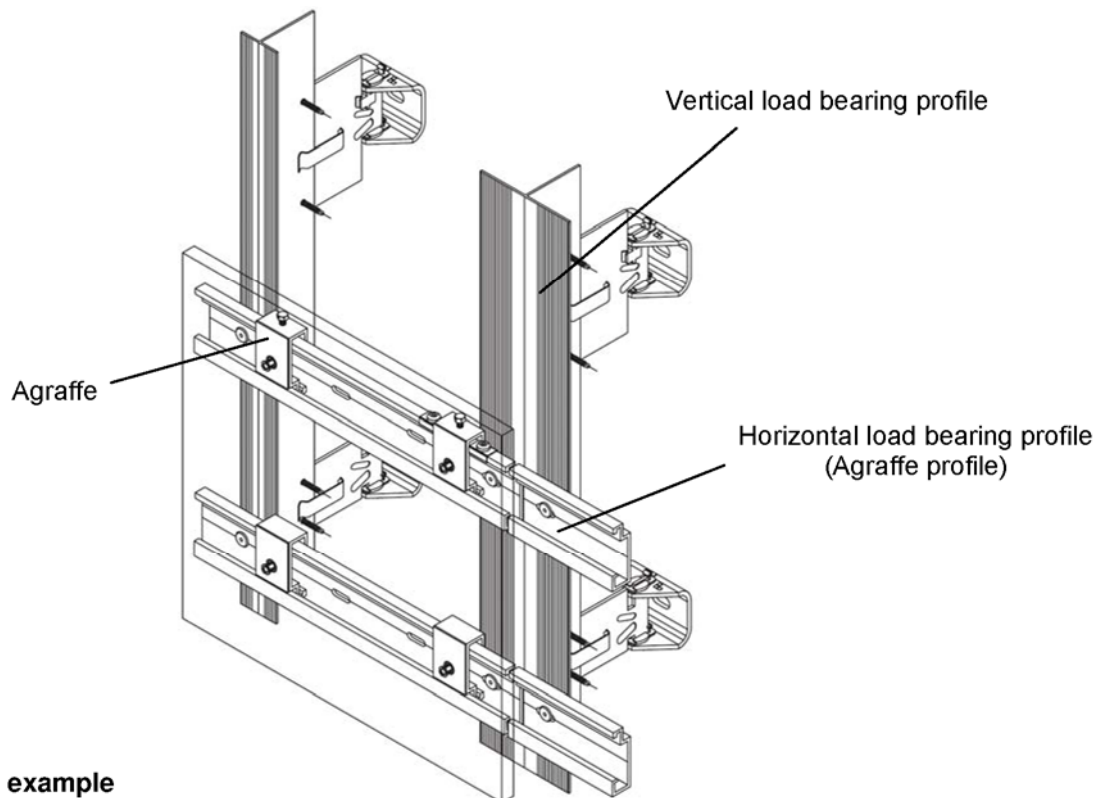
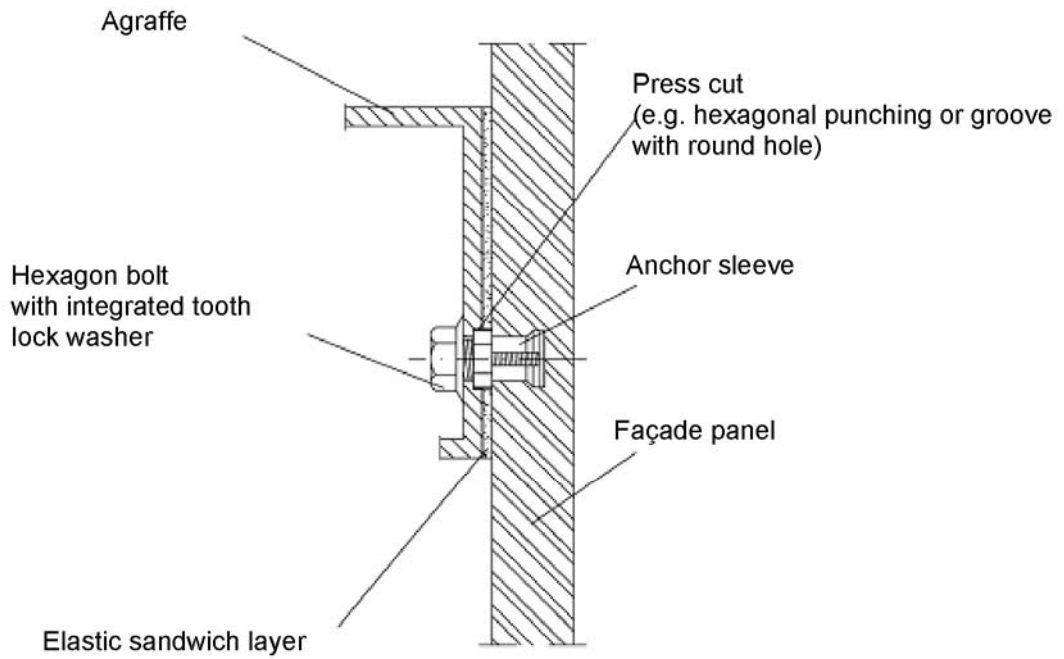
- setting depth
- thickness of the fixing member
- information on the installation procedure, preferably by means of an illustration

All data shall be presented in a clear and explicit form.

Uwe Bender  
Head of Department

*beglaubigt:*  
Bürger





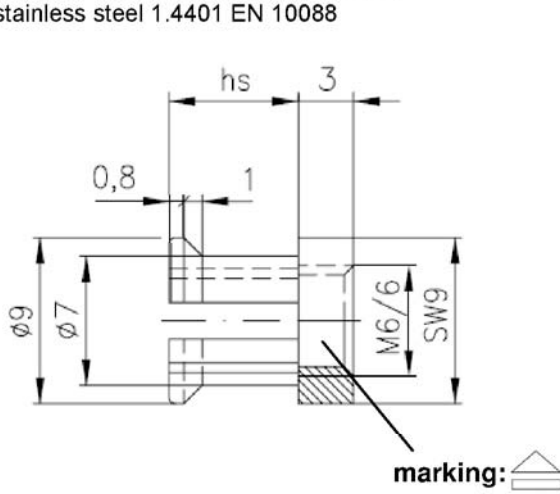
Fixing example

Keil undercut anchor KH for stoneware facade panels "Petaluxe facade"

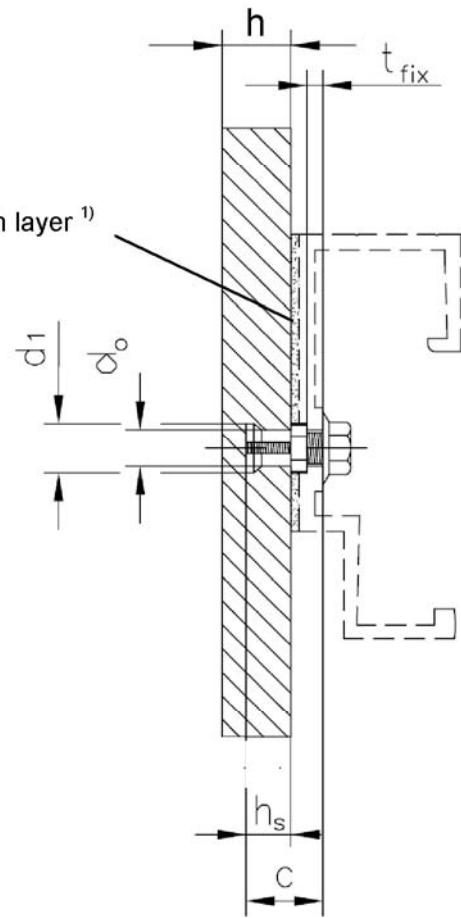
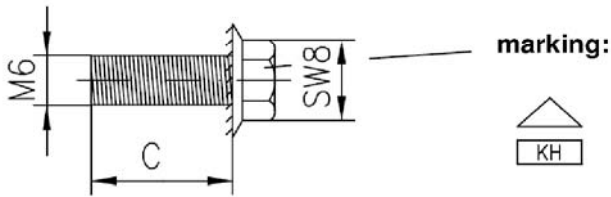
Product and intended use

Annex 1

**Anchor sleeve** (dimension in mm)  
stainless steel 1.4401 EN 10088



**Hexagon screw with tooth lock washer**  
stainless steel 1.4401, 1.4404 oder 1.4578 EN 10088



<sup>1)</sup> elastic sandwich layer (e.g. EPDM) - thickness 1.0 to 3.0 mm

**Table 1: Characteristic values for anchor installation**

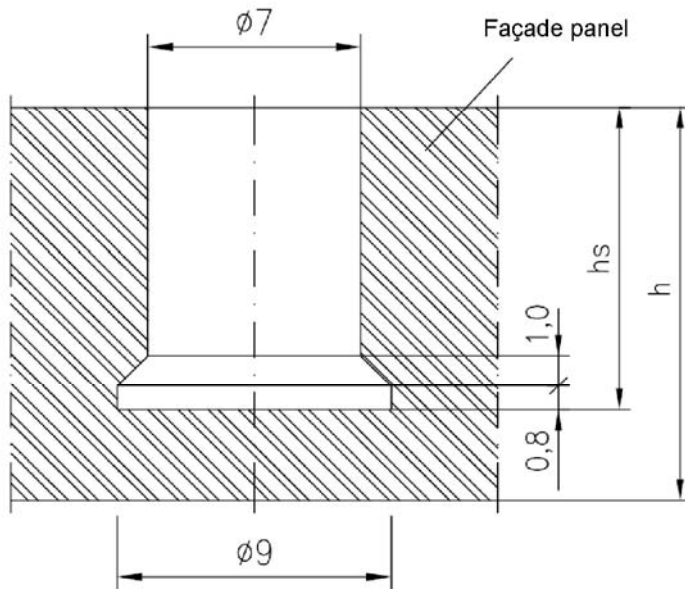
Anchor type		KH 5,5	KH 7,0	KH 8,5
anchorage depth	$h_s =$ [mm]	5.5	7.0	8.5
slab thickness	$h \geq$ [mm]	8.0	9.5	11.0
diameter of drill hole	$d_o =$ [mm]	7.0		
Diameter of undercut	$d_1 =$ [mm]	9.0		
screw length	$c =$ [mm]	$h_s + 3\text{mm} + t_{\text{fix}}$		
installation torque moment	$T_{\text{inst}}$ [Nm]	$2.5 \leq T_{\text{inst}} \leq 4.0$		

Keil undercut anchor KH for stoneware facade panels "Petaluxe facade"

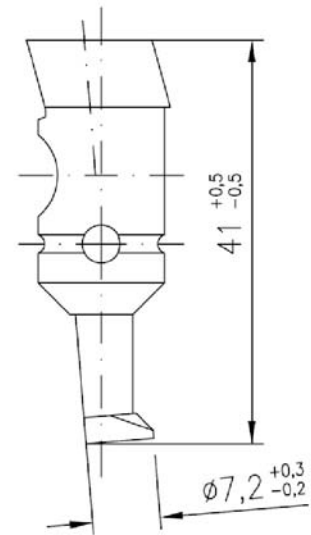
Parts of anchor and characteristic values for anchor installation

Annex 2

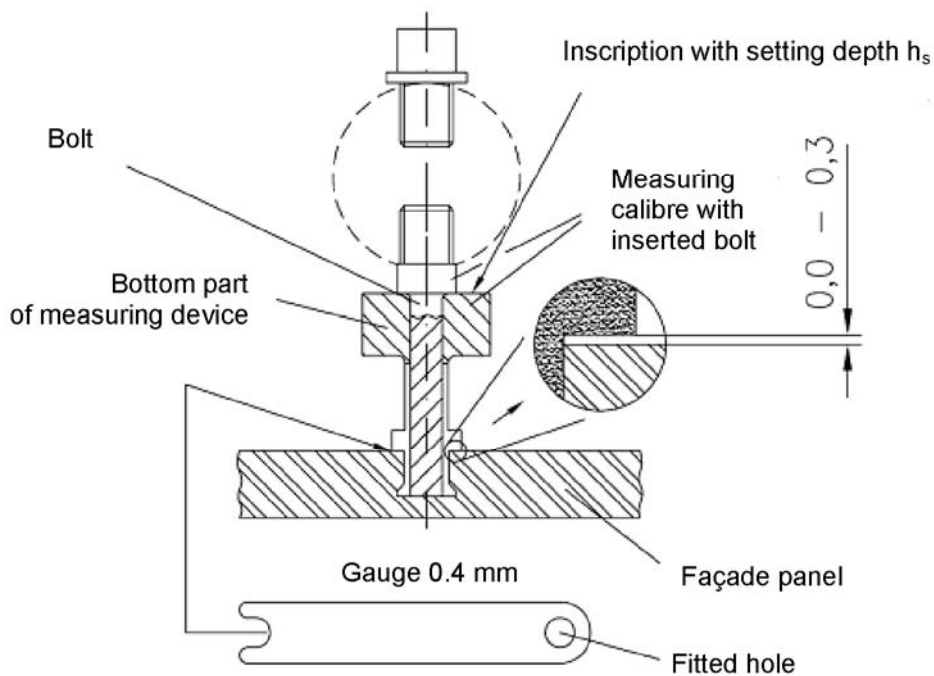
**drill hole geometry**



**drill geometry**  
for KEIL - Façade drill DIA 12/0,8



**KEIL measuring device**



Keil undercut anchor KH for stoneware facade panels "Petaluxe facade"

Drill hole dimensions  
Setting tools and testing equipment

Annex 3

Table 2: Characteristic values for the design of the anchor and façade panel

characteristic values of façade panel	strength class			Class A	Class B	Class C	
	char. resistance to bending stress	$\sigma_{Rk} =$	[N/mm <sup>2</sup> ]	35.0	40.0	45.0	
partial safety factor <sup>1)</sup>	$\gamma_M =$	[-]	1.8				
modulus of elasticity	$E =$	[N/mm <sup>2</sup> ]	30000				
poisson's ratio	$\nu =$	[-]	0.2				
specific weight	$\gamma =$	[kN/m <sup>3</sup> ]	25.0				
characteristic values of anchor	anchorage depth	$h_s =$	[mm]	5.5	7.0	8.5	
	panel thickness	$h \geq$	[mm]	8.0	9.5	11.0	
	characteristic resistance to tension load <sup>2)</sup>	Class A	$N_{Rk} =$	[kN]	1.0	1.5	2.7
		Class B			1.1	1.6	2.8
		Class C			1.2	1.7	3.0
	characteristic resistance to shear load <sup>2)</sup>	Class A	$V_{Rk} =$	[kN]	2.0	2.2	2.4
		Class B			2.1	2.3	2.5
		Class C			2.2	2.4	2.6
	edge distance <sup>3) 4)</sup>	$a_r \geq$	[mm]	100			
	spacing	$a \geq$	[mm]	200			
partial safety factor <sup>1)</sup>	$\gamma_M =$	[-]	1.8				

<sup>1)</sup> In absence of other national regulations.

<sup>2)</sup> In case of coincident stress of an anchor due to tension and shear load the equation according to Annex 8, equation 3 shall be observed

<sup>3)</sup> The edge distance may be reduced to 50 mm. For edge distances  $50 \text{ mm} \leq a_r \leq 100 \text{ mm}$  the characteristic values of resistance for shear loads shall be reduced by the factor  $a_r/100$  [ $a_r$  in mm]; in case of different edge distances the smaller value is decisive

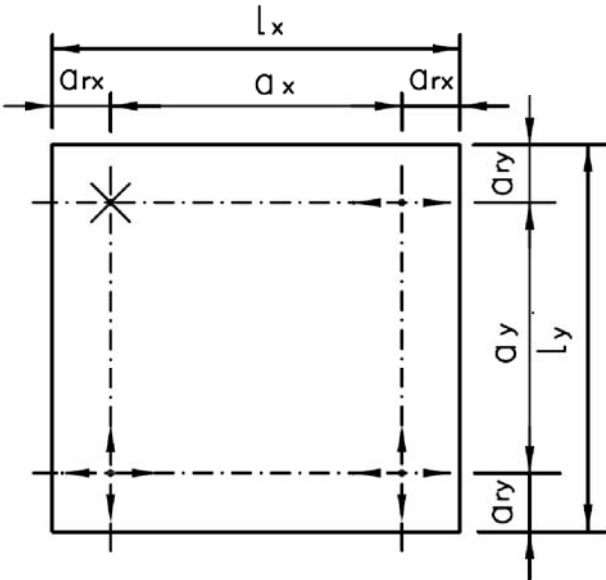
<sup>4)</sup> For small fitted pieces, differential and fill-in pieces the edge distance and spacing shall be chosen constructively

Keil undercut anchor KH for stoneware facade panels "Petaluxe facade"

Characteristic values for the design of the anchor and façade panel

Annex 4

### Definition of edge distance and spacing

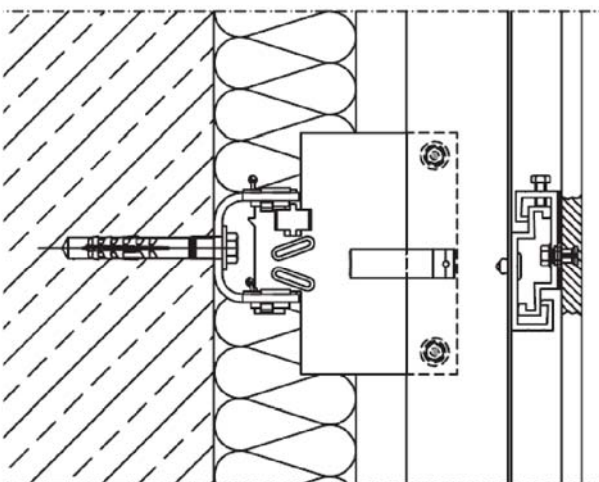


#### Legend:

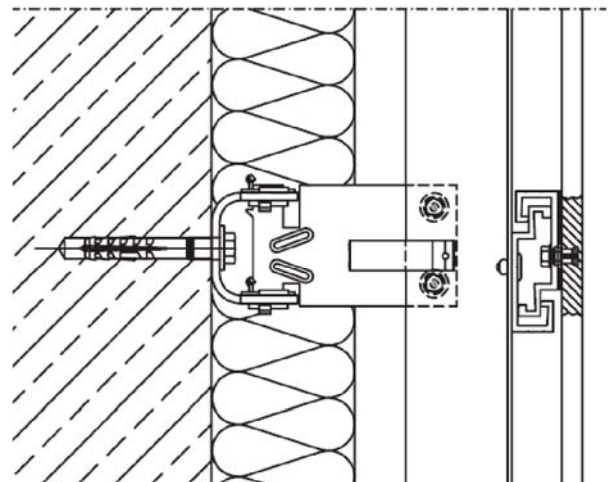
- $a_{rx,y}$  = edge distance – distance of an anchor to the panel edge
- $a_{x,y}$  = spacing – distance between anchors
- $L_x$  = greater length of the façade panel
- $L_y$  = smaller length of the façade panel
- X = fixed point (fixed bearing)
- $\pm$  = horizontal skid (loose bearing)
- $\pm$  = horizontal and vertical skid (loose bearing)

### Example for fixed point and loose bearing

fixed bearing (fixed point)



loose bearing (skid)



Keil undercut anchor KH for stoneware facade panels "Petaluxe facade"

Definition of edge distance and spacing  
Example for fixed bearing and loose bearing

Annex 5

### Requirements to stoneware- façade panels

The stoneware façade panels shall be classified according to EN 14411 "Ceramic tiles".

The façade panels shall correspond to the group A<sub>Ia</sub>, A<sub>Ib</sub>, B<sub>Ia</sub> or B<sub>Ib</sub> according to EN 14411.

In Addition the following verifications are produced separately for each construction project on at least 10 samples independent of the scope of delivery:

- Checking the bending strength according to EN ISO 10545-4 with the "visible face" on top; Deviating from EN ISO 10 545-4 the dimension of the test specimen is l/b = 400/200 mm and the support span is l<sub>s</sub> = 300 mm
- Checking the pull-out load by axial tension tests on test specimens with dimensions of l/b = 200/200 mm, an edge distance of 100 mm and a support diameter of  $\varnothing = 70$  mm (panel thickness and setting depth according to the construction project)
- Checking the pull-out load by shear tests on test specimens with dimensions of l/b = 400/200 mm and an edge distance of 100 mm (panel thickness and setting depth according to the construction project)

From the test results the 5%-Fractile (confidence level of 75%, unknown standard deviation and lognormal distribution) shall be determined.

**Table 3: characteristic values of façade panels –mechanical properties**

strength class of façade panels		A	B	C
Bending strength ("visible face" on top)	$\sigma_{u5\%} \geq$ [N/mm <sup>2</sup> ]	35	40	45
pull-out load tension load	$h_s = 5,5$ mm	1.0	1.1	1.2
	$h_s = 7.0$ mm	1.5	1.6	1.7
	$h_s = 8.5$ mm	2.7	2.8	3.0
pull-out load shear load	$h_s = 5.5$ mm	2.0	2.1	2.2
	$h_s = 7.0$ mm	2.2	2.3	2.4
	$h_s = 8.5$ mm	2.4	2.5	2.6

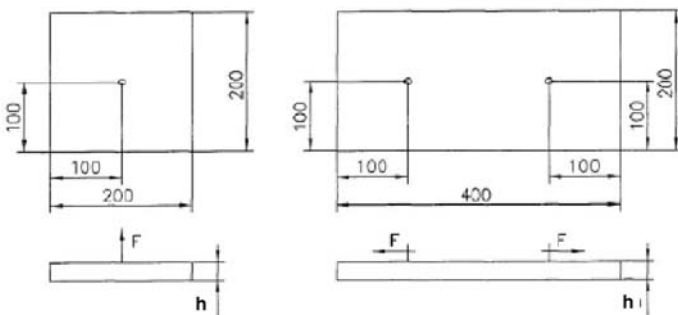


Figure 1: test specimen for tension test and shear test

Keil undercut anchor KH for stoneware facade panels "Petaluxe facade"

Classification of façade panels

Annex 6



## Design method

### General

The design values of the actions shall be calculated on basis of EN 1990 in consideration of the existing loads. The combinations of actions shall be equal to EN 1990. The actions shall be specified according to EN 1991-1-1 to EN 1991-1-7. Corresponding national regulations shall be taken into consideration. The unfavourable combination is decisive. Where necessary for the design of the anchor and the façade panel several combinations shall be analysed separately.

The typical fundamental combination for façade panels considers actions from dead load  $F_{Ek,G}$  (permanent action) and wind  $F_{Ek,w}$  (leading variable action).

According to EN 1990 the following fundamental combination depending on the load direction results for a vertical façade panel:

Fundamental combination for loads parallel to the panel:

$$F_{Ed||} = F_{Ek,G} \cdot \gamma_G$$

Fundamental combination for loads perpendicular to the panel:

$$F_{Ed\perp} = F_{Ek,w} \cdot \gamma_Q + F_{Ek,Zw} \cdot \gamma_G$$

$$\text{with } \gamma_G = 1.35; \gamma_Q = 1.50$$

For hanging panels (over head mounting) or reveals respectively the load direction shall be taken into consideration and the combinations of actions shall be based on EN 1990.

The calculation shall be carried out in a linear elastic manner. The stiffness of the substructure shall be considered for the respective case of application.

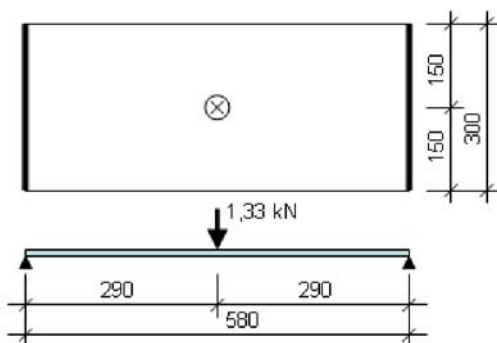
The design values of the actions shall be compared with the design values of the resistance.

### Guideline for structural calculation by means of FE - method

For structural calculation by means of the Finite-Element-Method the façade panels are to be idealized with their effective dimensions (size and thickness) as plate elements; the system chosen shall have the capacity to sufficiently precise represent the tension and the deformation state as well as the support reactions of the façade panels. The mesh size at fixing range shall not exceed 10 mm.

The modelling of the façade panel is to be calibrated on the basis of the following points:

- modelling a plate section of 580 mm x 300 mm with a plate thickness of 13.3 mm
- support at the short sides with simply supported restraints
- loading at centre with a single load of 1.33 kN
- determination of a factor  $f_{cal,FE} = 41.8 / \sigma_{FE}$
- the determined bending stresses shall be multiplied with factor  $f_{cal,FE}$  ( $\sigma_{SK} = \sigma_{FE} \cdot f_{cal,FE}$ ); the factor  $f_{cal,FE}$  shall only be considered for stresses due to support moments



$\sigma_{FE}$  = maximum main tensile stress [N/mm<sup>2</sup>]

Keil undercut anchor KH for stoneware facade panels "Petaluxe facade"

Design method - general

Annex 7



### Verification of the anchor loads

In addition to the actions from dead load and wind load the following actions shall be considered as permanent loads in direction to the anchor axes:

- due to mounting restraint a load  $N_{E_k, Z_w} = 0.05$  kN shall be considered (in absence of no other national regulations)
- in case of flush fixing of the anchor and when using horizontal load-bearing profiles: due to torsion of the load-bearing profile resulting from dead load of the façade panel the following load  $N_{V, E_k}$  shall be considered:

$$N_{V, E_k} = V_{E_k} \cdot 2e / c_H$$

with  $V_{E_k}$  = shear load due to dead load of the façade panel;  $e$  und  $c_H$  [mm] (see Figure 2)

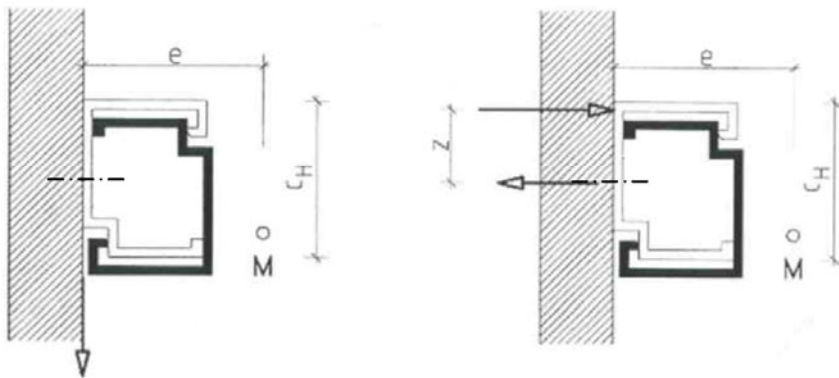


Figure 2: torsion of horizontal load-bearing profiles resulting from dead load of the façade panels

For the determined anchor forces it shall be verified, that the following equation are met:

Equation 1:  $\frac{N_{Ed}}{N_{Rd}} \leq 1$

Equation 2:  $\frac{V_{Ed}}{V_{Rd}} \leq 1$

Equation 3:  $\frac{N_{Ed}}{N_{Rd}} + \frac{V_{Ed}}{V_{Rd}} \leq 1$

With:

$N_{Ed}$  = design value of existing anchor tension load

$V_{Ed}$  = design value of existing anchor shear load

$N_{Rd}$  = design value of anchor load-bearing capacity for tension load:  $N_{Rd} = N_{Rk} / \gamma_M$  (with  $N_{Rk}$  and  $\gamma_M$  according to Annex 4)

$V_{Rd}$  = design value of anchor load-bearing capacity for shear load:  $V_{Rd} = V_{Rk} / \gamma_M$  (with  $V_{Rk}$  and  $\gamma_M$  according to Annex 4)

### Verification of the bending stresses

For the determined bending stresses it shall be verified, that the following equation is met:

Equation 4:  $\sigma_{Ed} \leq \sigma_{Rd}$

With

$\sigma_{Ed}$  = design value of existing bending stress in the façade panel/ reveal panel

$\sigma_{Rd}$  = design value of bending strength:  $\sigma_{Rd} = \sigma_{Rk} / \gamma_M$  with  $\sigma_{Rk}$  ( $\gamma_M$  according to Annex 4, Table 2)

In case of flush fixing of the anchor and when using horizontal load-bearing profiles: due to torsion of the load-bearing profile resulting from dead load of the façade panel the design value of the bending stress due to support moment shall be increased by the factor  $f_{cal,V}$  :

Equation 5: 
$$f_{cal,V} = \frac{N_{Ed,W} + N_{Ed,Zw} + N_{Ed,V}}{N_{Ed,W} + N_{Ed,Zw}}$$

With:

$N_{Ed,W}$  = design value of the existing anchor tension load due to wind load

$N_{Ed,Zw}$  = design value of the existing anchor tension load due to mounting restraint

$N_{Ed,V}$  = design value of the existing anchor tension load due to shear load (see Annex 8)

### Characteristic resistance to wind loads for selective slab sizes and bearing conditions

For the panel sizes and bearing conditions given in Table 4 depending on the strength class, panel thickness, setting depth and edge distance the verification of structural stability is deemed to be verified, if the following condition is met:

$w_{Ed} \leq w_{Rk} / \gamma_M$

With:

$w_{Ed}$  = design value of the existing wind load

$w_{Rk}$  = characteristic resistance to wind loads according to Table 4

$\gamma_M$  = partial safety factor according to Table 4

**Table 4: characteristic resistance  $w_{Rk}$  to wind loads for selective panel sizes and bearing conditions depending on property class, panel thickness, setting depth and edge distance**

Class	d	h <sub>s</sub>	a <sub>rx</sub>	a <sub>ry</sub>	panel sizes	bearing condition <sup>1)</sup>	w <sub>Rk</sub>	γ <sub>M</sub>
[-]	[mm]	[mm]	[mm]	[mm]	[mm]	[-]	[kN/m <sup>2</sup> ]	[-]
B	≥ 11,5	≥ 7	60-120	100-200	600 × 1200	4 Agraffen	5.4	1.8
B	≥ 11,5	≥ 7	60-120	75-150	600 × 900	4 Agraffen	8.1	
B	≥ 9,5	≥ 7	60-120	60-120	600 × 600	4 Agraffen	10.8	
A	≥ 13	≥ 8,5	123	240-350	900 × 1200	4 Agraffen	2.2	
A	≥ 13	≥ 8,5	123	240-350	900 × 1200	6 Agraffen	2.7	
A	≥ 13	≥ 8,5	123	240-350	900 × 1200	8 Agraffen	4.3	
C	≥ 13	≥ 7	100	100	900 × 900	4 Agraffen	4.3	

<sup>1)</sup> maximum size of agraffe: width = 30 mm, height = 60 mm

Keil undercut anchor KH for stoneware facade panels "Petaluxe facade"

Design method – bending stress  
Characteristic resistance to wind loads

Annex 9